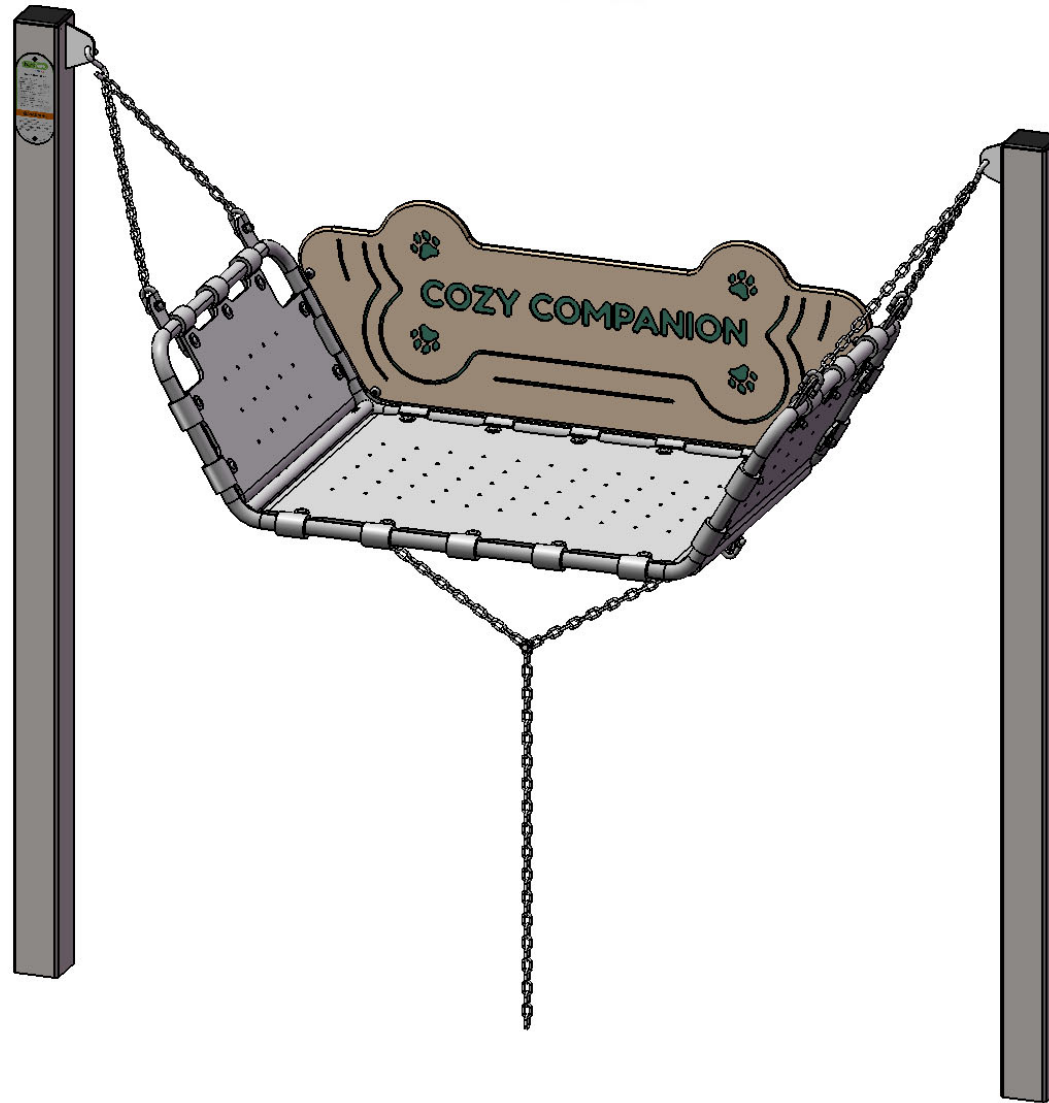




A PLAYCORE Company



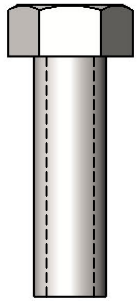
Model # BARK-451



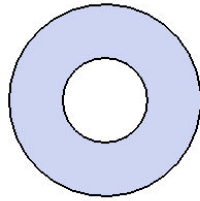
SAFETY WARNINGS & EQUIPMENT INSPECTION

- Owners and installers please note these safety warnings and make use of this checklist on a regular basis.
- Follow installation instructions when erecting equipment.
- Ground surfaces around equipment should be restored as needed. Concrete footings should never be exposed. Surface depth should comply with ASTM and CPSC specifications.
- Check for and repair damage caused by wear or vandalism, a major factor in injury causing situations.
- All protruding bolts should be covered or cut off and finished smooth. Sharp edges on pipes should be capped or removed. Check for bent, broken, or severely worn pipe, and replace.
- All equipment should be free of rust and repainted whenever necessary to deter rusting.
- We provide our customers with layout sheets and installation instructions. Please keep on file the specifications sheet that contains the listing of every part used.
- Never add components not intended for use with this product.
- Regular maintenance is necessary in this and all park and recreational equipment to insure the safety of the user.
- Note: Proper maintenance of equipment requires regular tightening of all bolts, nuts, and setscrews.
- Note: Regular checking of all parts, castings, etc. should be made. If a part is broken or worn, it should be replaced immediately.
- Check to be sure all fittings are tight and that bars and pipes do not move.
- Replace all worn S-hooks. S-hooks must be completely closed. Failure to close S-hooks can result in serious injury to the user. NEVER reuse S-hooks.
- Test for free movement of swing hanger and other moving attached parts.
- Check for worn chains and replace them.
- A soft resilient surface should be placed under all swings extending at least twice the height of the top rail both front and back.

HARDWARE



3/8" x 1-1/2" Machine Bolt

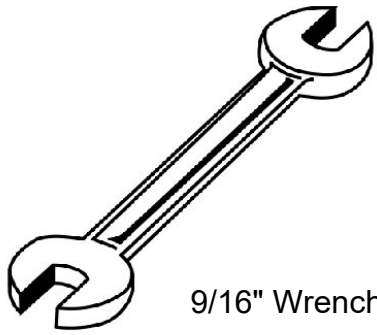


3/8" Washer



3/8" Kep Nut

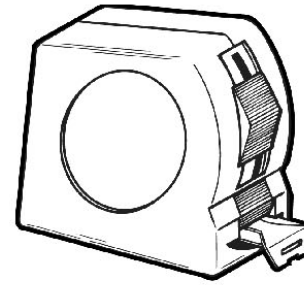
TOOLS REQUIRED



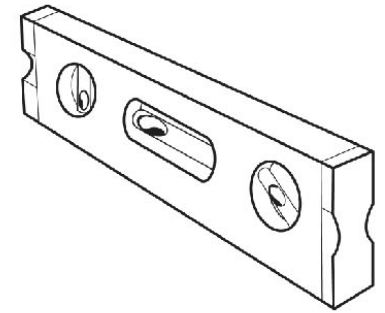
9/16" Wrench



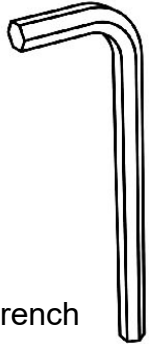
9/16" Socket Wrench



Tape Measure



Level



7/32" Allen Wrench

BARK PARK PRODUCT SPECIFICATIONS

BARK-451 COZY COMPANION

Seat: Seat frame is made from 1-5/16" OD pregalvanized steel tube with 1/4" thick steel plates. Electrically MIG welded. Seat material is made from 3 ply CP black, 1/16" pebbletop x FS, 3/8" thick rubber.

Frame: Swing frame is made from 4" square pregalvanized steel tube with 1/4" thick steel plates. Electrically MIG welded. Seat shall be suspended by 3/16" trivalent chain.

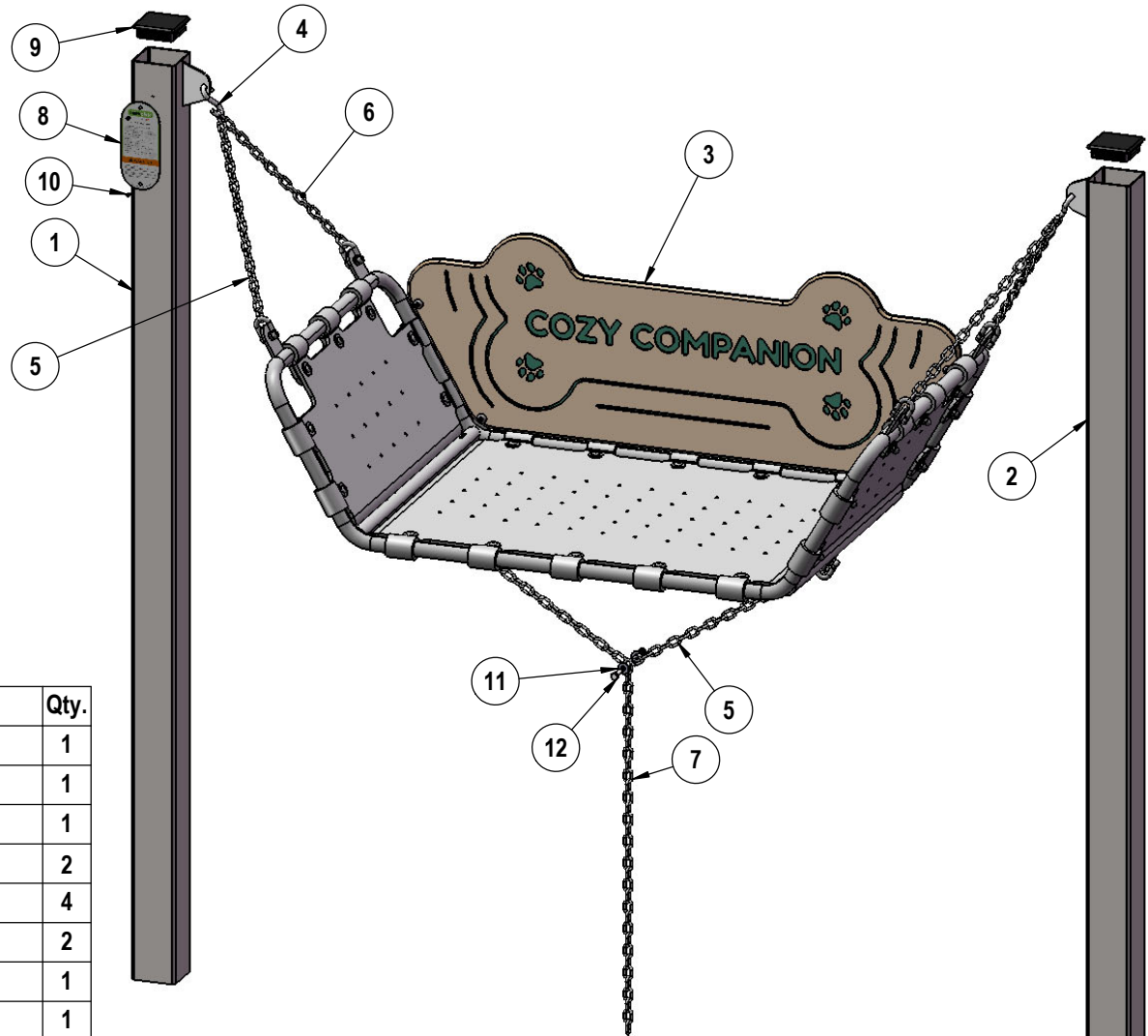
Frame Coating: Electrostatic powder coated application oven cured.

Hardware: All stainless steel hardware fasteners.

Dimensions: Seat is 30-5/16" wide x 57-1/8" long. Seat height is 21-13/16" from the ground to the top of the seat. Overall dimensions of assembled swing is 92" wide x 56-1/4" tall x 30-5/16" deep.



COMPONENTS



ITEM NO.	PartNo	DESCRIPTION	Qty.
1	01-08-0486	cozy companion upright RH	1
2	01-08-0487	cozy companion upright LH	1
3	01-08-0491	cozy companion seat #316513	1
4	55-H155	S Hook	2
5	01-08-0489	21" swing chain	4
6	01-08-0490	18" swing chain	2
7	01-08-0488	34" Swing Chain	1
8	01-08-0468	cozy companion sign	1
9	HWM0404	Plastic Insert 4" x 7-11GA SQ TUBE	2
10	33-05-0008	#8 1/2" SS Phillips Panhead Tek	2
11	33-02-0008	3/8" Flat Washer (SS)	2
12	33-05-0078	3/8" x 1 1/4" Machine Bolt (SS)	1
13	33-03-0013	3/8" Kep Nut (SS)	1

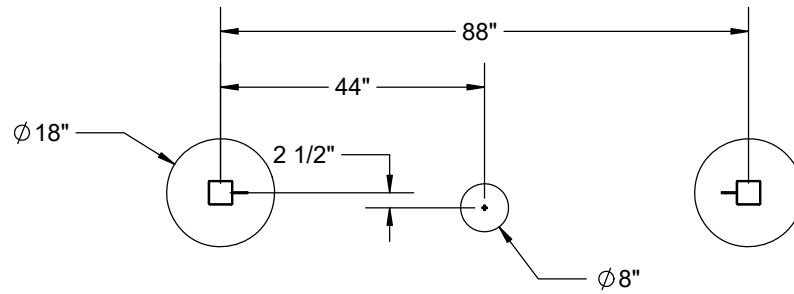


Bark Park

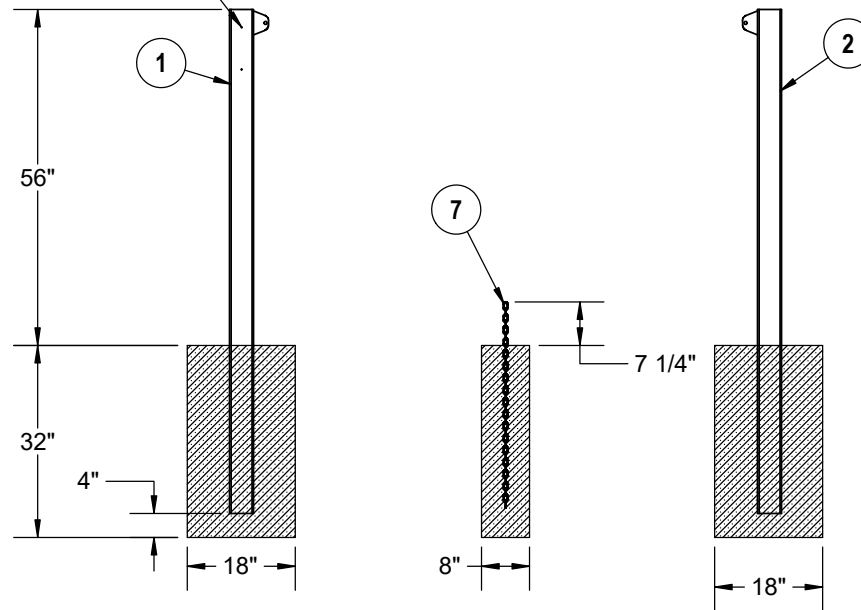
800-45-ULTRA

www.barkparkproducts.com

STEP 1



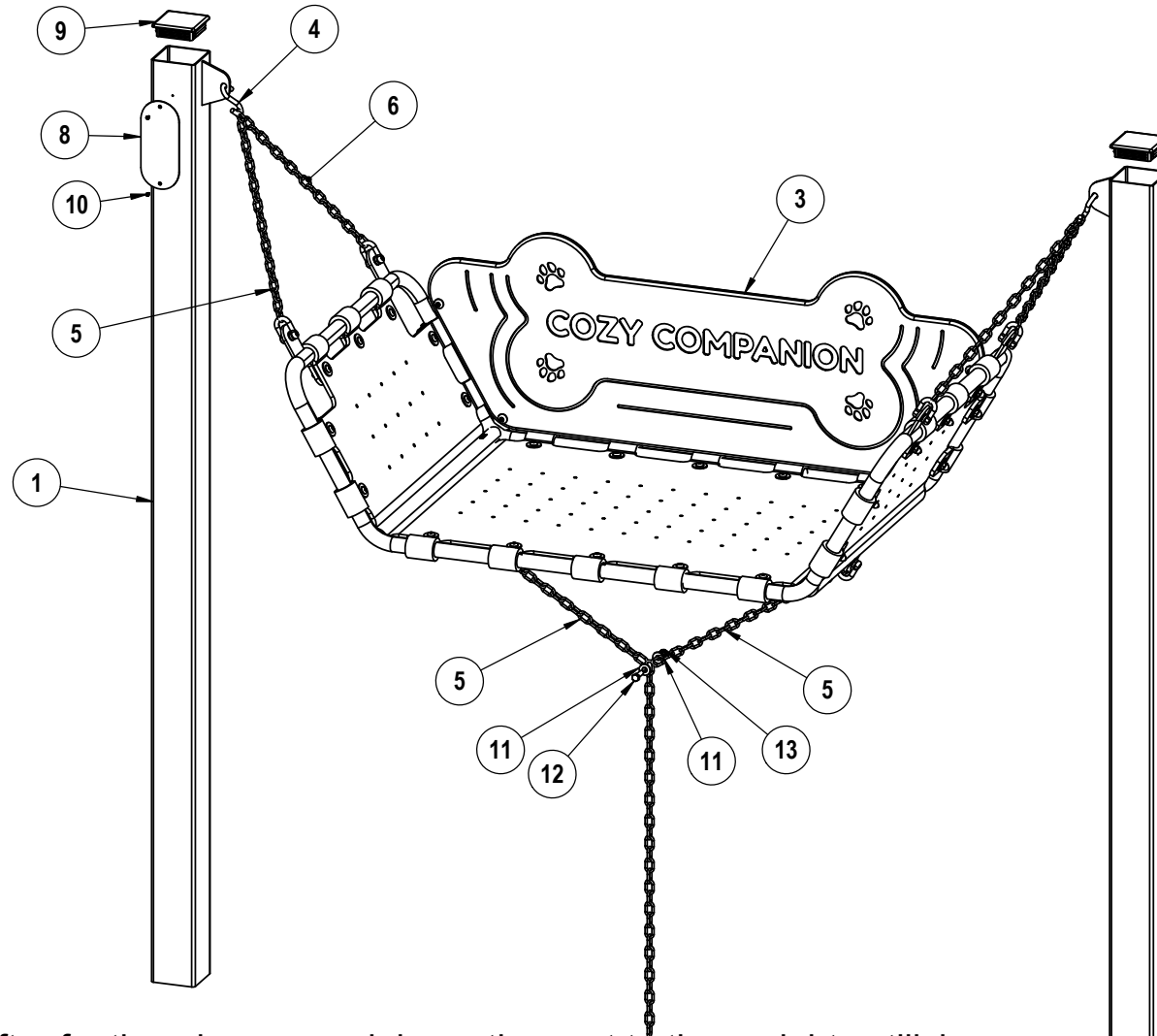
pre-drill pilot holes for sign



Estimated required concrete:
23 - 50 lb. bags of concrete mix

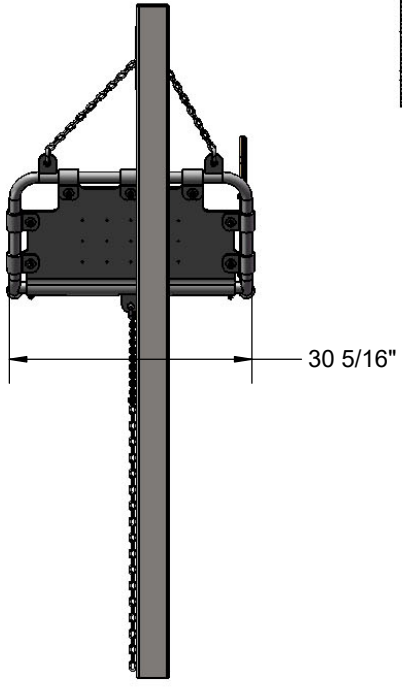
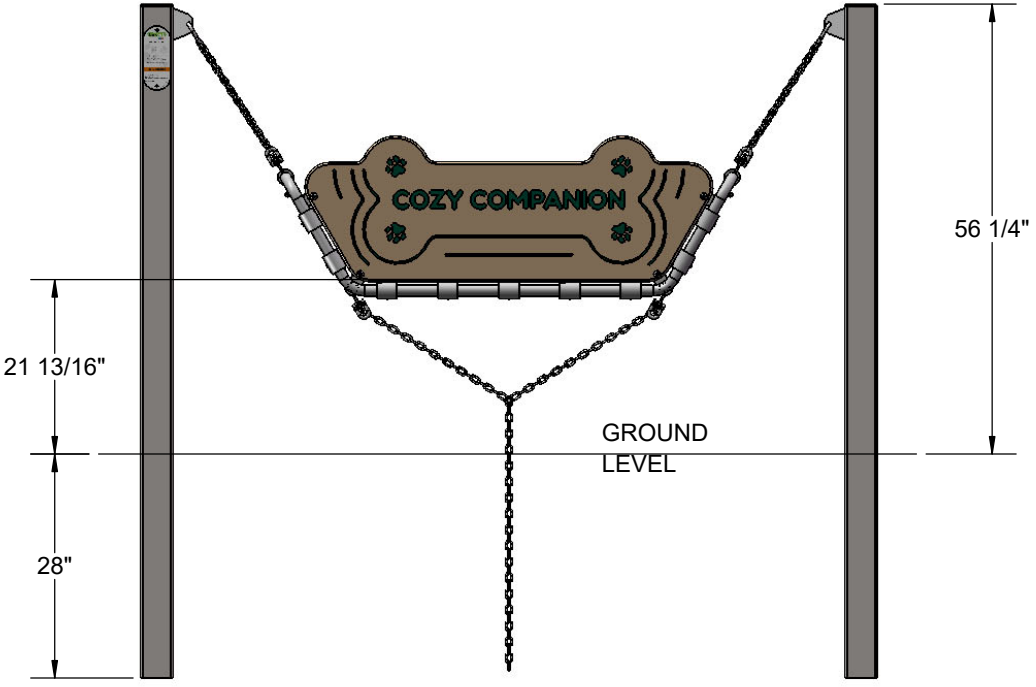
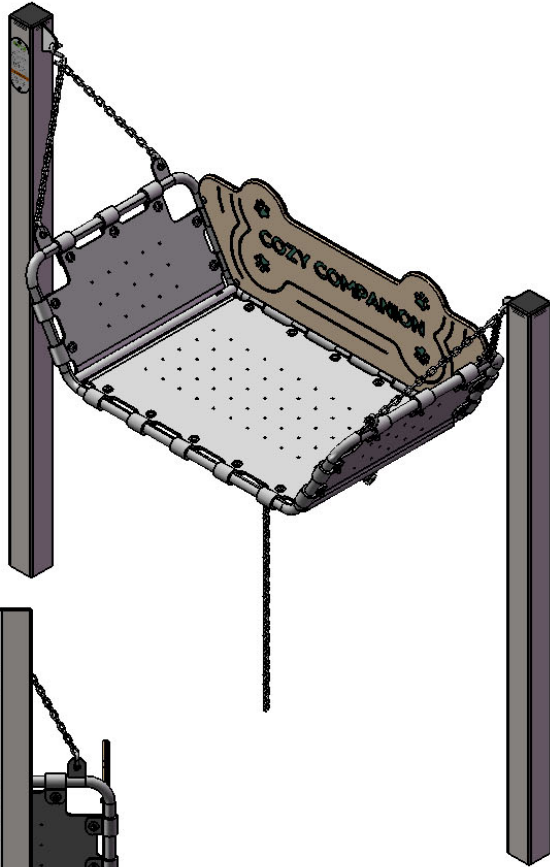
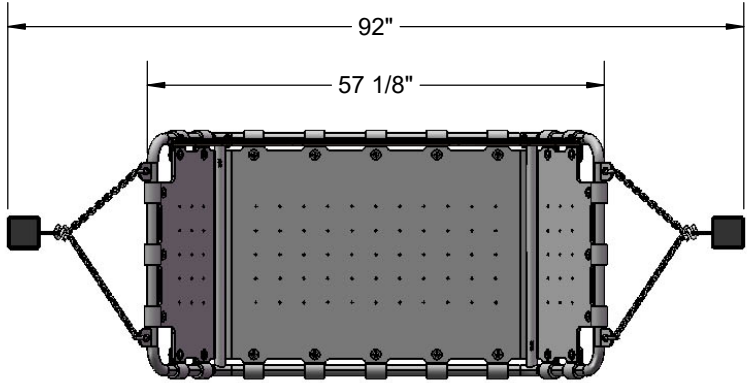
Dig footings and install posts per the above dimensions.
Middle tether chain should have approx 7-1/4" of chain above the footing.
Allow concrete to cure before proceeding to step 2

STEP 2



After footings have cured, hang the seat to the uprights utilizing the shackles on the seat & S hooks on the uprights. Use the 21" long chain on the front & the 18" long chain on the back. Connect two 21" long chains to the shackles underneath the seat and to the middle tether chain using the 3/8" x 1-1/2" machine bolt, washers & kep nut. Attached the sign to the pilot holes in the RH upright using the self tapping screws. Insert the caps onto the top of the uprights

OVERALL DIMENSIONS



Bark Park

800-45-ULTRA

www.barkparkproducts.com