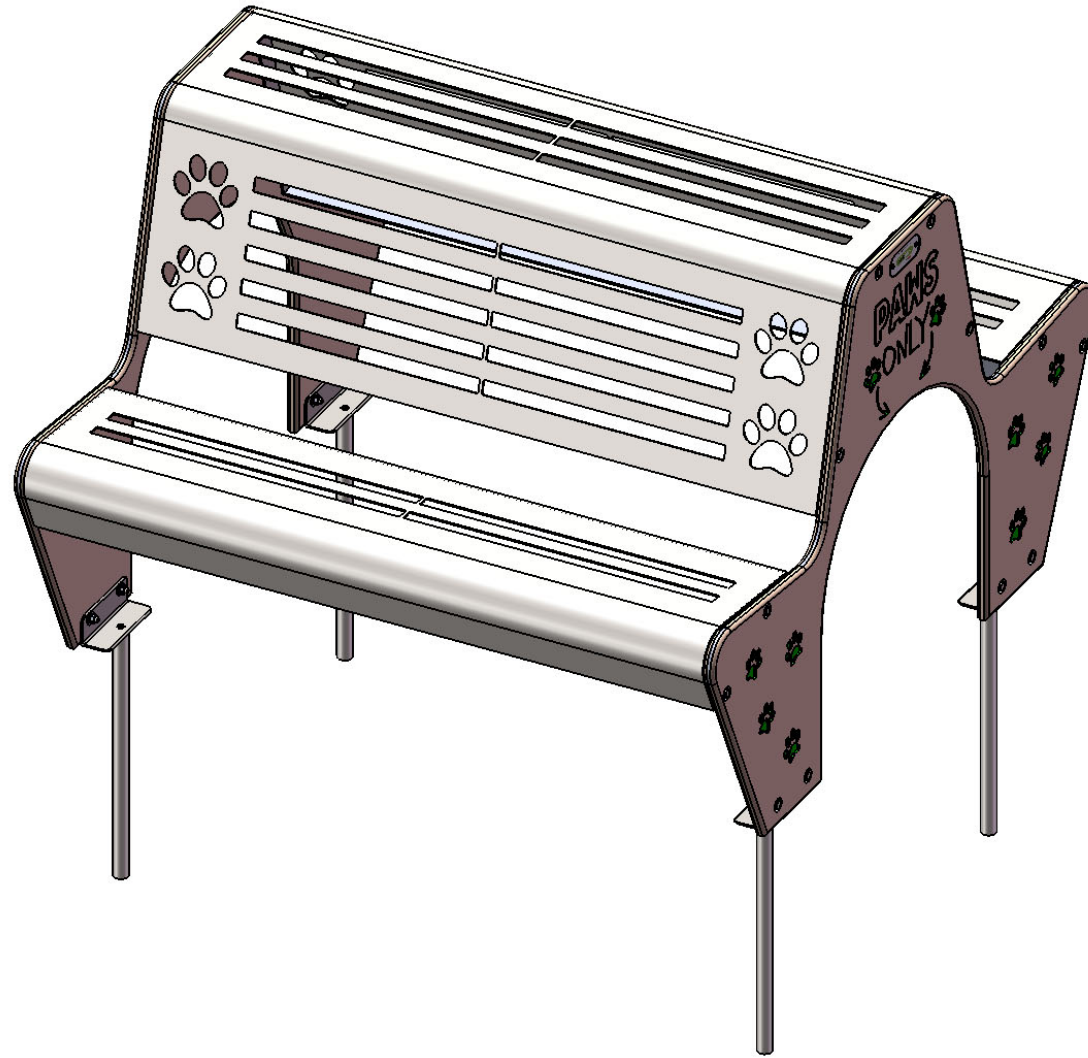




A PLAYCORE Company



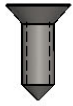
Model # BARK-455



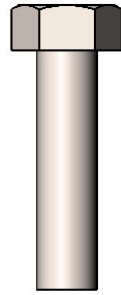
SAFETY WARNINGS & EQUIPMENT INSPECTION

- Owners and installers please note these safety warnings and make use of this checklist on a regular basis.
- Follow installation instructions when erecting equipment.
- Ground surfaces around equipment should be restored as needed. Concrete footings should never be exposed. Surface depth should comply with ASTM and CPSC specifications.
- Check for and repair damage caused by wear or vandalism, a major factor in injury causing situations.
- All protruding bolts should be covered or cut off and finished smooth. Sharp edges on pipes should be capped or removed. Check for bent, broken, or severely worn pipe, and replace.
- All equipment should be free of rust and repainted whenever necessary to deter rusting.
- We provide our customers with layout sheets and installation instructions. Please keep on file the specifications sheet that contains the listing of every part used.
- Never add components not intended for use with this product.
- Regular maintenance is necessary in this and all park and recreational equipment to insure the safety of the user.
- Note: Proper maintenance of equipment requires regular tightening of all bolts, nuts, and setscrews.
- Note: Regular checking of all parts, castings, etc. should be made. If a part is broken or worn, it should be replaced immediately.
- Check to be sure all fittings are tight and that bars and pipes do not move.
- Replace all worn S-hooks. S-hooks must be completely closed. Failure to close S-hooks can result in serious injury to the user. NEVER reuse S-hooks.
- Test for free movement of swing hanger and other moving attached parts.
- Check for worn chains and replace them.
- A soft resilient surface should be placed under all swings extending at least twice the height of the top rail both front and back.

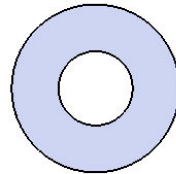
HARDWARE



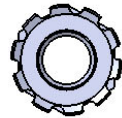
#8 x 1/2" Screw



5/16" x 1-1/4"
Machine Bolt

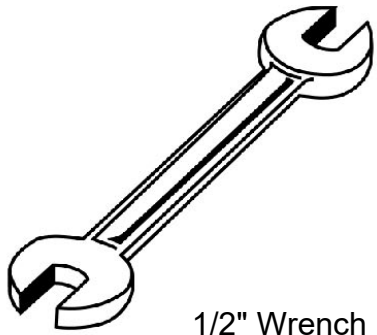


5/16" Washer

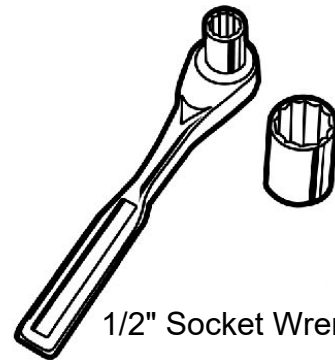


5/16" Keeplow Nut

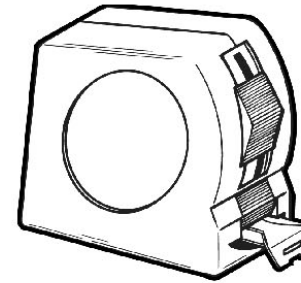
TOOLS REQUIRED



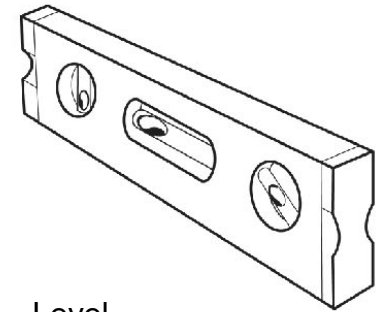
1/2" Wrench



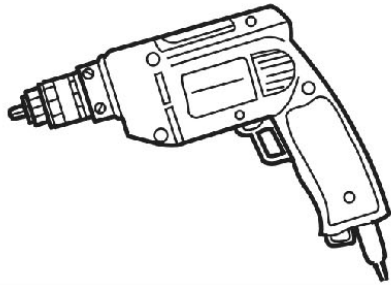
1/2" Socket Wrench



Tape Measure



Level



Drill with Phillips Bit

BARK PARK PRODUCT SPECIFICATIONS

BARK 455 Pup Passage

Seat & Back: 12 gauge die formed sheet steel with laser cut design. End plates are 10ga steel plate. Reinforced with 3/16" x 1-1/2" flat strip. Electrically MIG welded.

End frames: 3/4" thick HDPE.

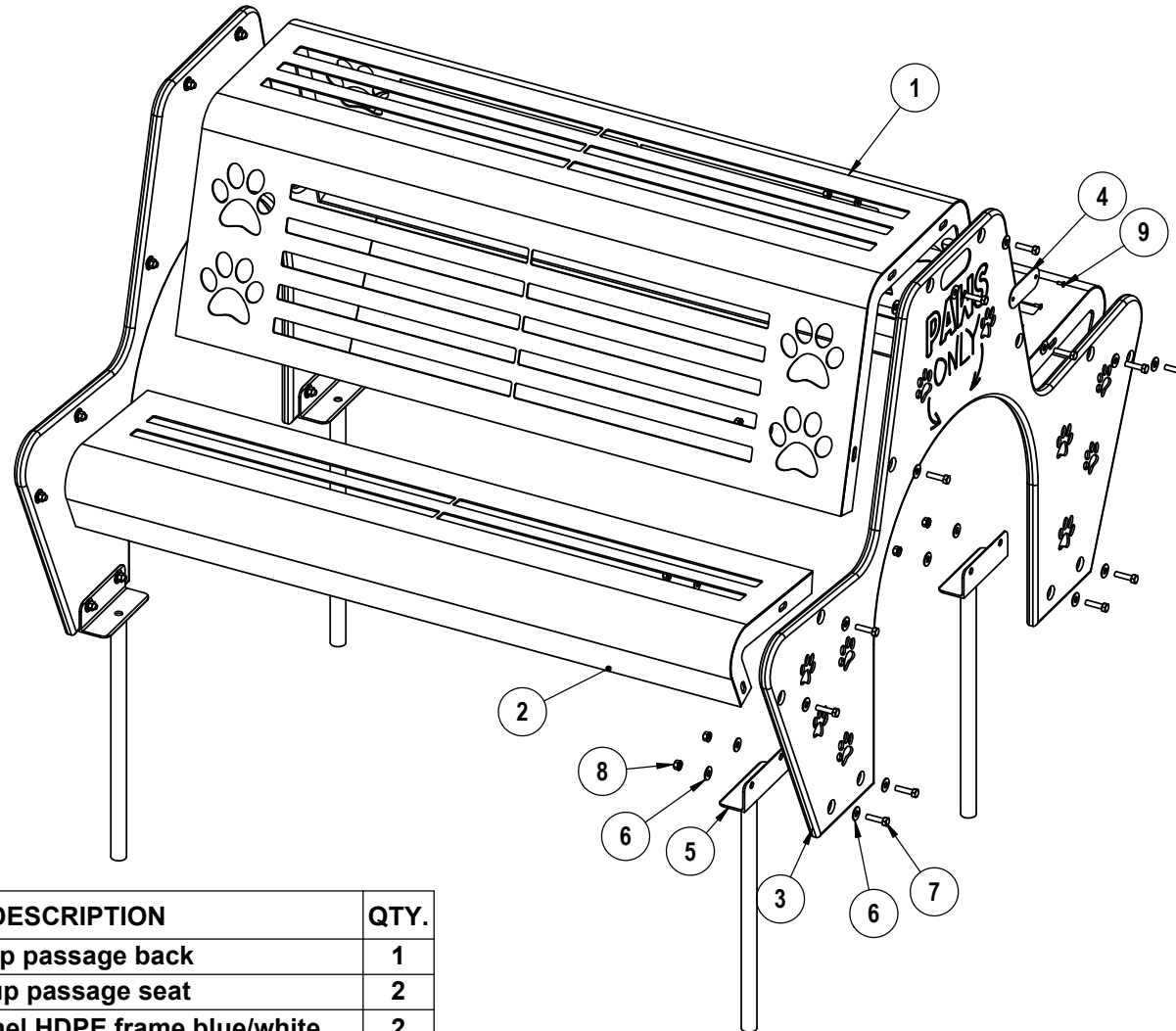
Frame Coating: Electrostatic powder coated application oven cured.

Hardware: All stainless steel hardware fasteners.

Dimensions: Outside to outside dimensions are 49-1/2" long x 51-5/16" wide x 34" tall.



COMPONENTS



ITEM NO.	PartNo	DESCRIPTION	QTY.
1	01-08-0473	pup passage back	1
2	01-08-0470	pup passage seat	2
3	01-08-0449	bark-455 tunnel HDPE frame blue/white	2
3	01-08-0448	bark-455 tunnel HDPE frame beige/green	2
4	01-08-0469	pup passage sign	2
5	01-08-0477	pup passage inground footer	4
6	33-02-0007	5/16" SS Washer	48
7	33-05-0028	5/16" x 1 1/4" Machine Bolt (SS)	24
8	33-03-0012	5/16" Kep Nut (SS)	24
9	33-05-0092	#8 x 1/2" wood screw	4

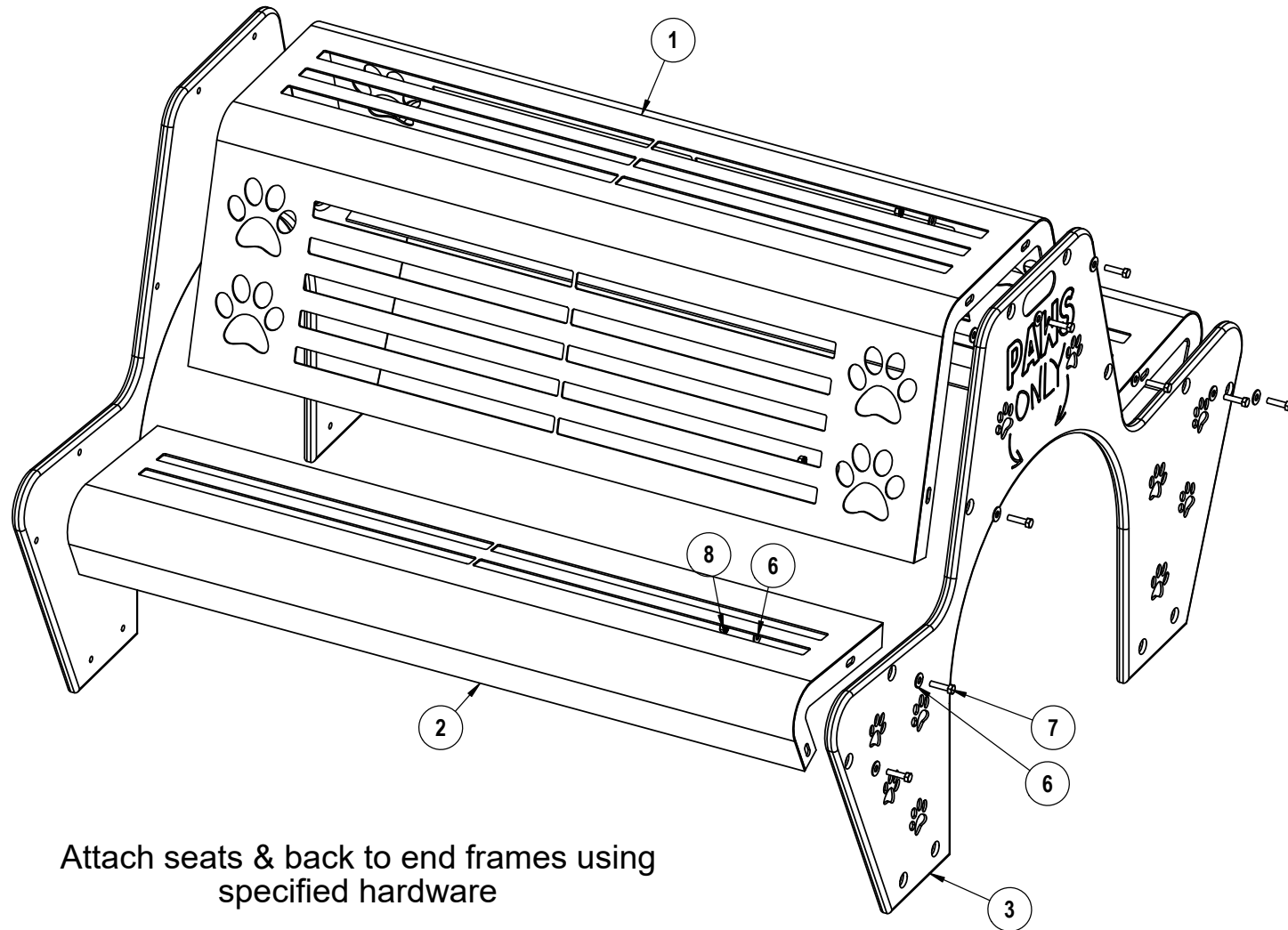


Bark Park

800-45-ULTRA

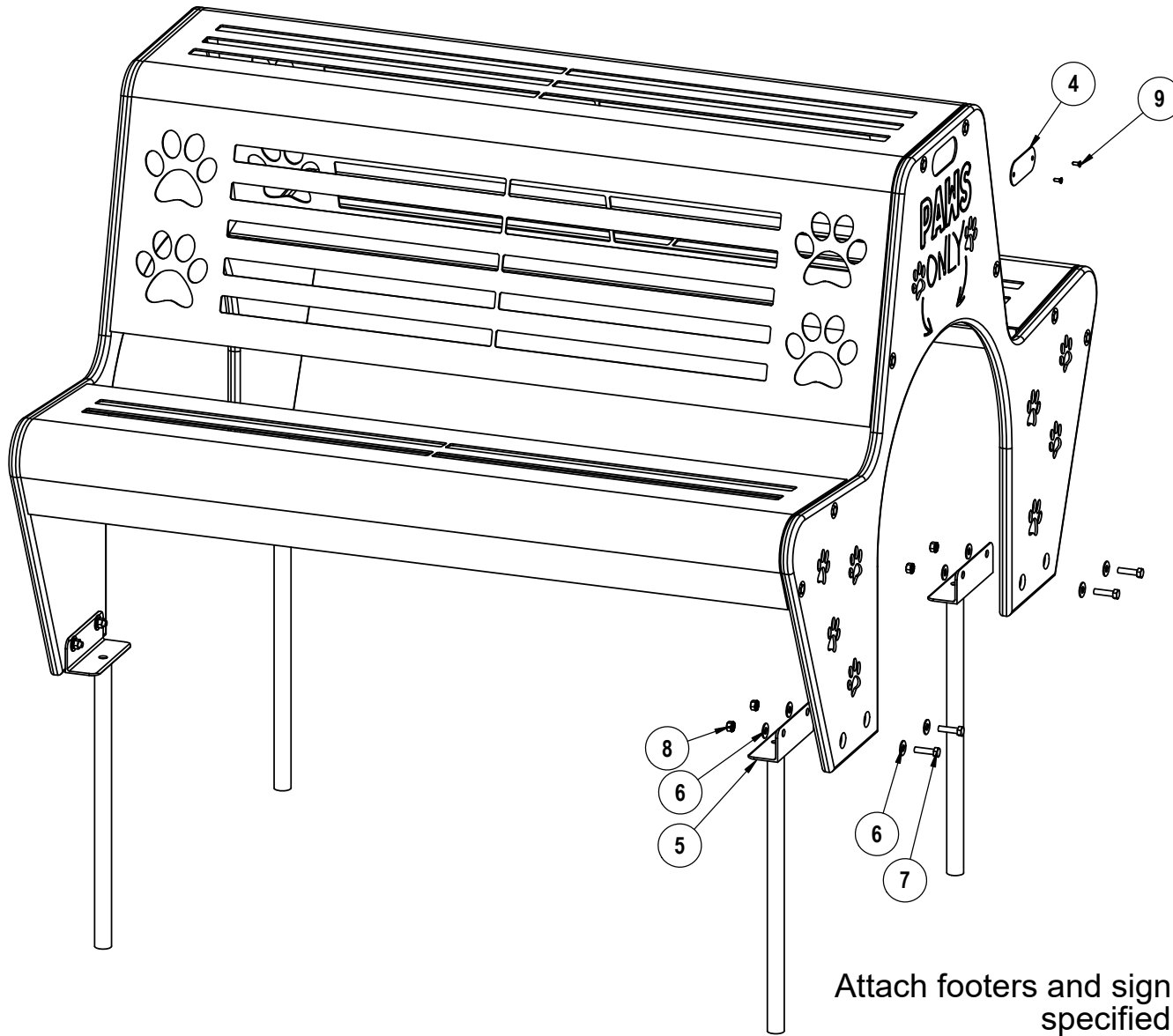
www.barkparkproducts.com

STEP 1

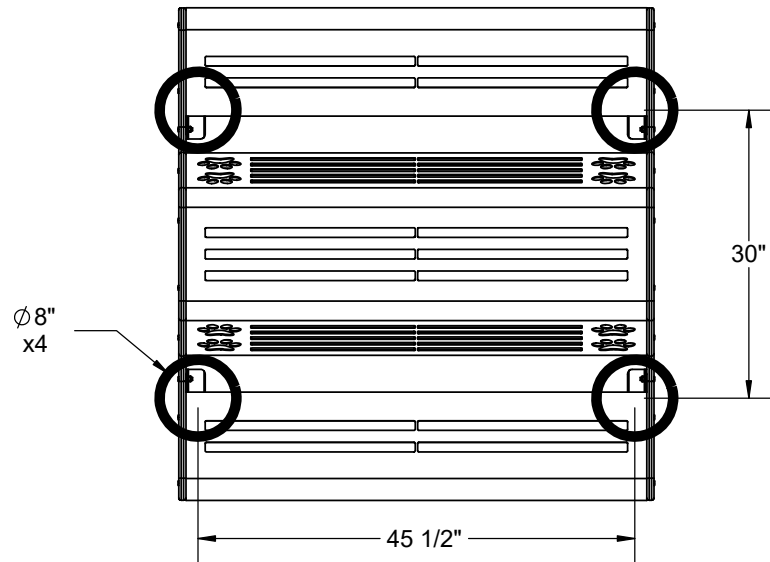


Attach seats & back to end frames using specified hardware

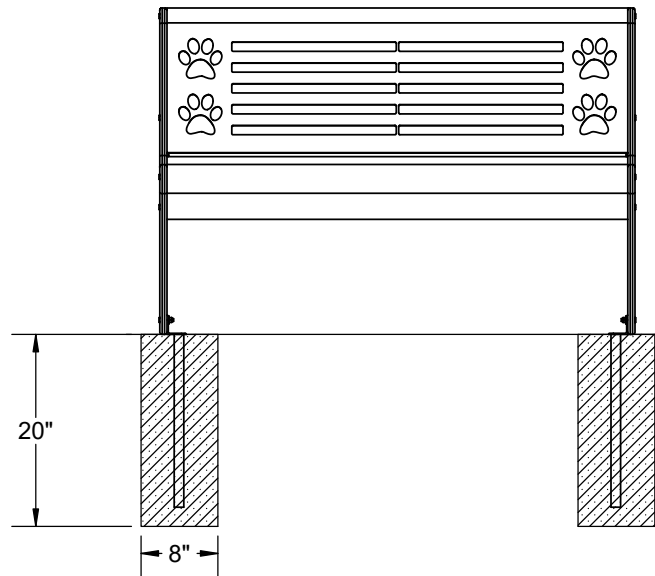
STEP 2



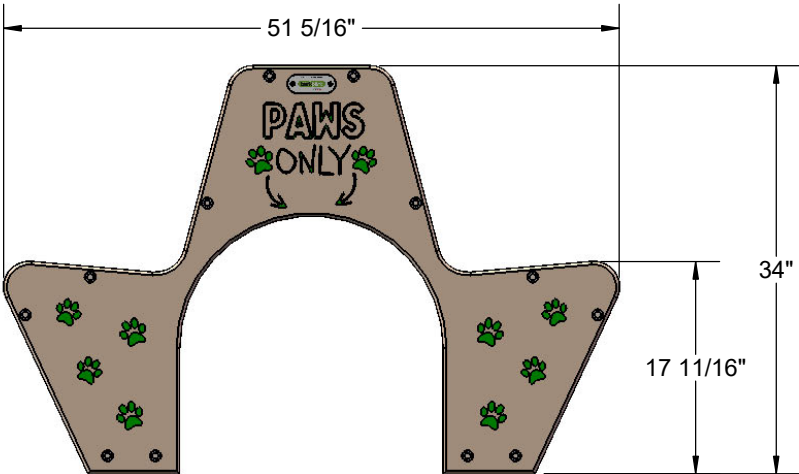
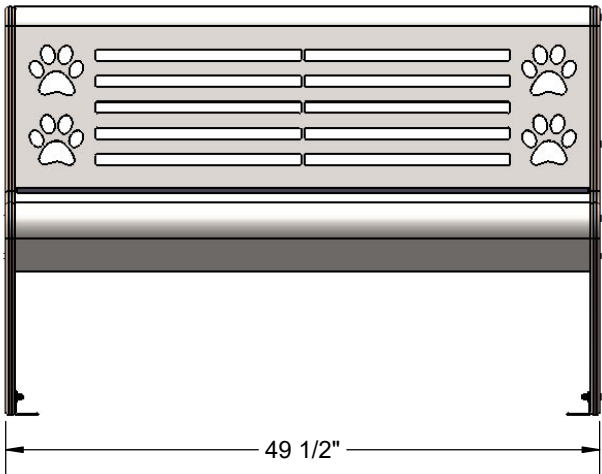
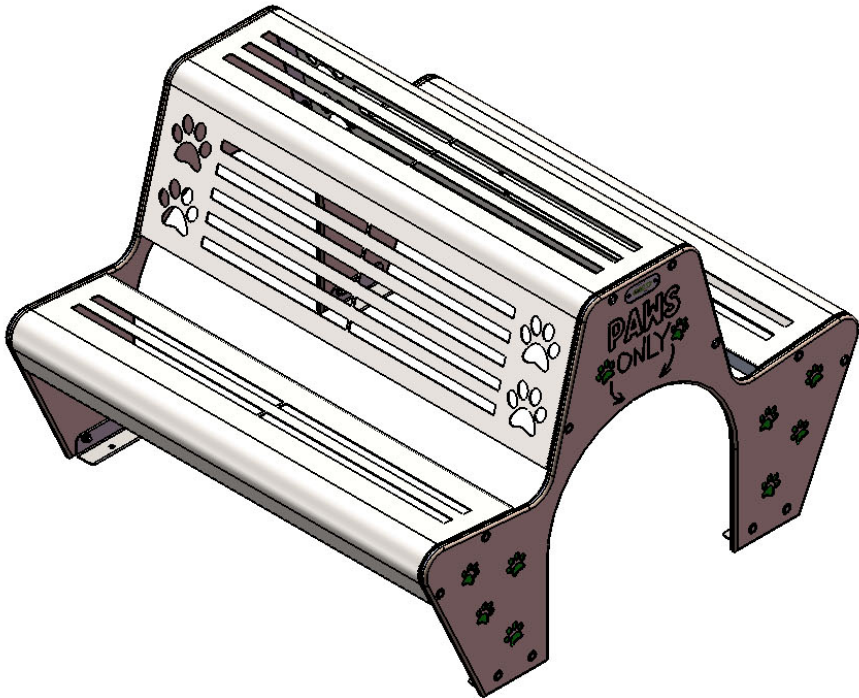
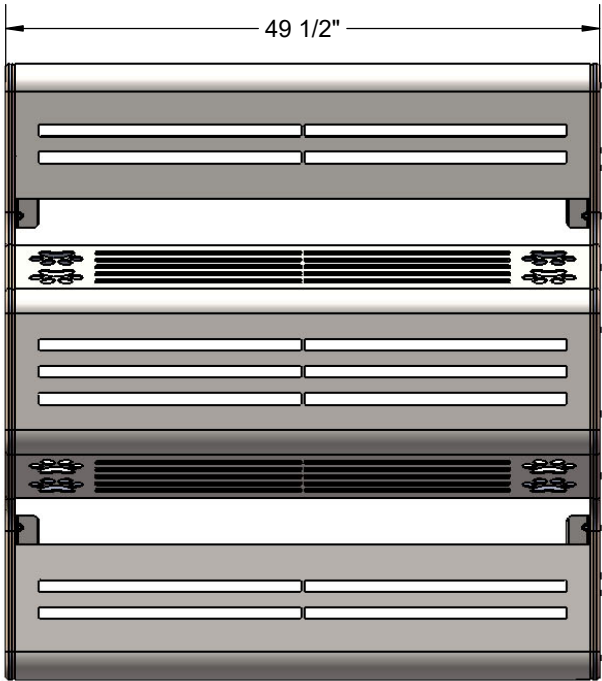
FOOTINGS



Estimated required concrete:
6 - 50lbs bags of concrete mix



OVERALL DIMENSIONS



Bark Park

800-45-ULTRA

www.barkparkproducts.com