

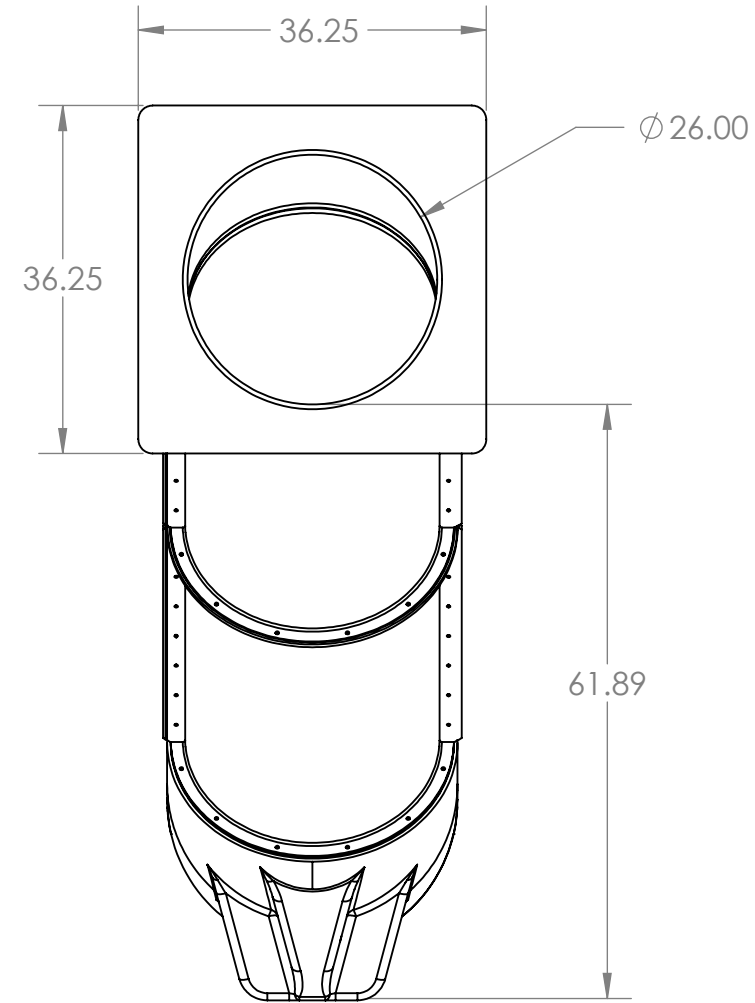
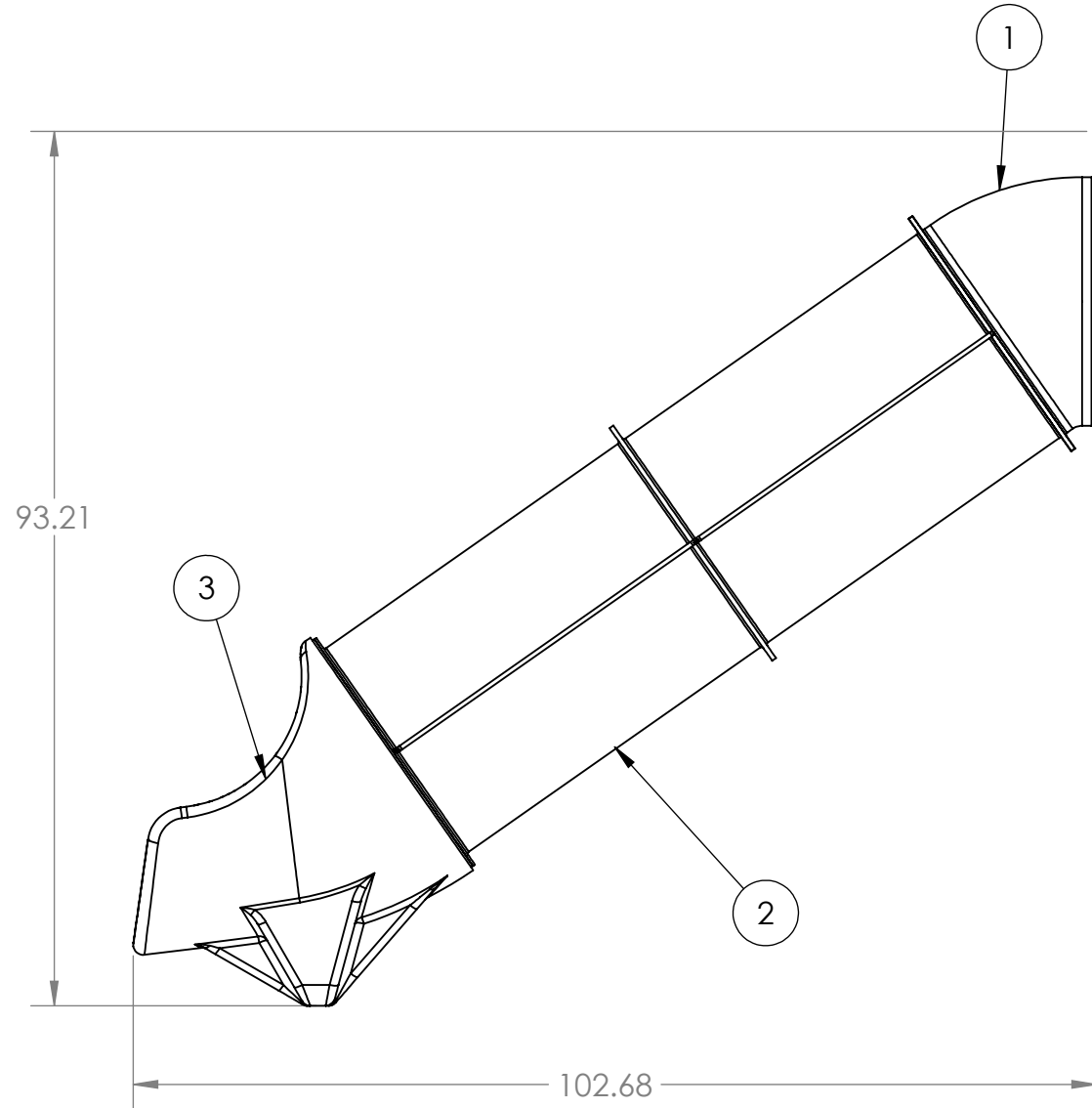
4

3

2

1

ITEM NO.	PART NUMBER	DESCRIPTION	QTY.
1	Entry Hood Rev 6	Entry Hood	1
2	Straight Tube		4
3	SLIDE_EXIT_100113		1



		UNLESS OTHERWISE SPECIFIED:	NAME	DATE	ATLAS MOLDING - Leola ,PA	
		DIMENSIONS ARE IN INCHES	DRAWN		TITLE:	
		TOLERANCES:	CHECKED			
		FRACTIONAL ±	ENG APPR.		TUNNEL EXPRESS - 5FT	
		ANGULAR: MACH ± BEND ±	MFG APPR.			
		TWO PLACE DECIMAL ±	Q.A.		SIZE DWG. NO. REV	
		THREE PLACE DECIMAL ±	COMMENTS:			
		INTERPRET GEOMETRIC TOLERANCING PER:				SCALE: 1:20 WEIGHT:
		MATERIAL				
		SEE BOM				SHEET 1 OF 1
NEXT ASSY	USED ON	FINISH				
APPLICATION		DO NOT SCALE DRAWING				

4

3

2

1