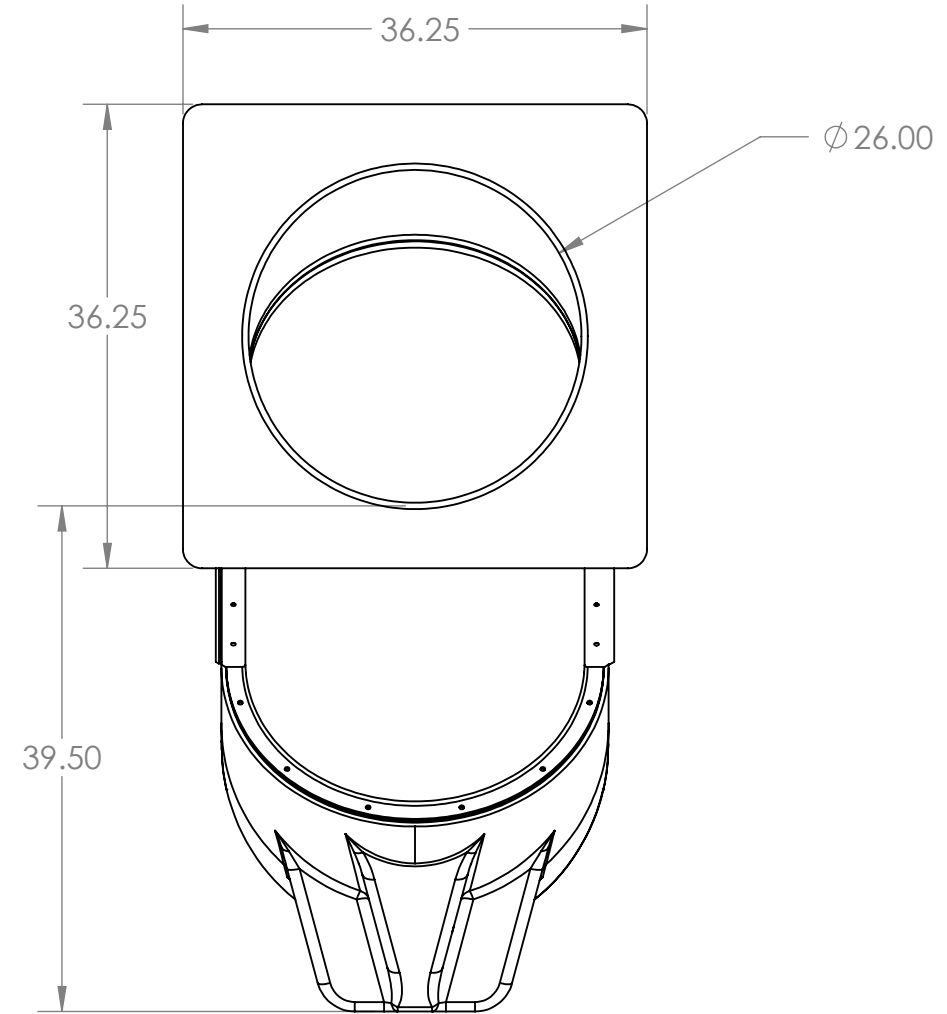
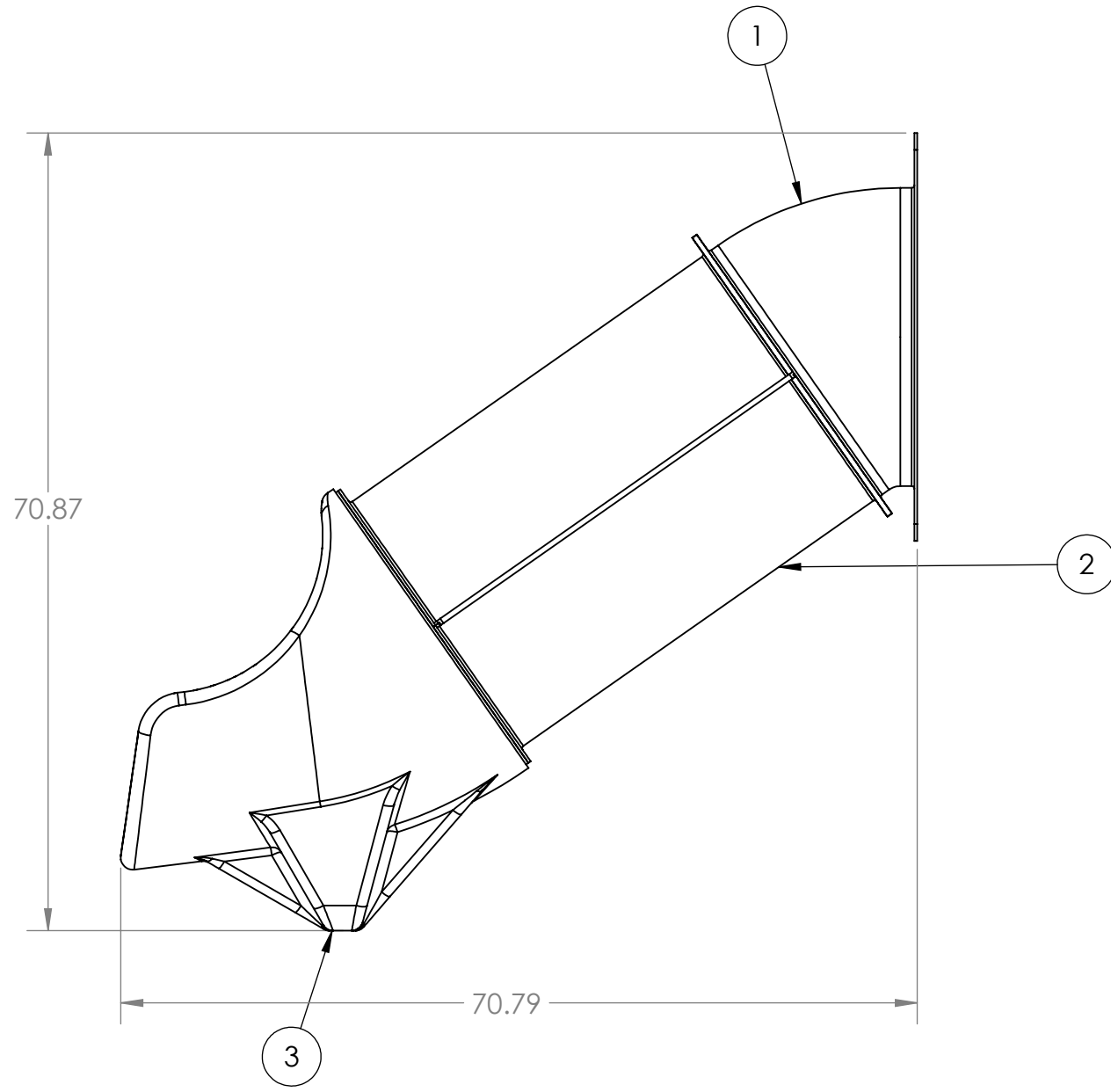


ITEM NO.	PART NUMBER	DESCRIPTION	QTY.
1	Entry Hood Rev 6	Entry Hood	1
2	Straight Tube		2
3	SLIDE_EXIT_100113		1



		UNLESS OTHERWISE SPECIFIED:	NAME	DATE	ATLAS MOLDING - Leola ,PA	
		DIMENSIONS ARE IN INCHES	DRAWN		TITLE: TUNNEL EXPRESS - 3FT	
		TOLERANCES:	CHECKED			
		FRACTIONAL: ±	ENG APPR.			
		ANGULAR: MACH ± BEND ±	MFG APPR.			
		TWO PLACE DECIMAL ±	Q.A.		SIZE DWG. NO. REV	
		THREE PLACE DECIMAL ±	COMMENTS:			
		INTERPRET GEOMETRIC TOLERANCING PER:				
		MATERIAL				
		SEE BOM				
NEXT ASSY	USED ON	FINISH	SCALE: 1:15 WEIGHT: SHEET 1 OF 1			
APPLICATION		DO NOT SCALE DRAWING				

4

3

2

1

B

B

A

A

4

3

2

1