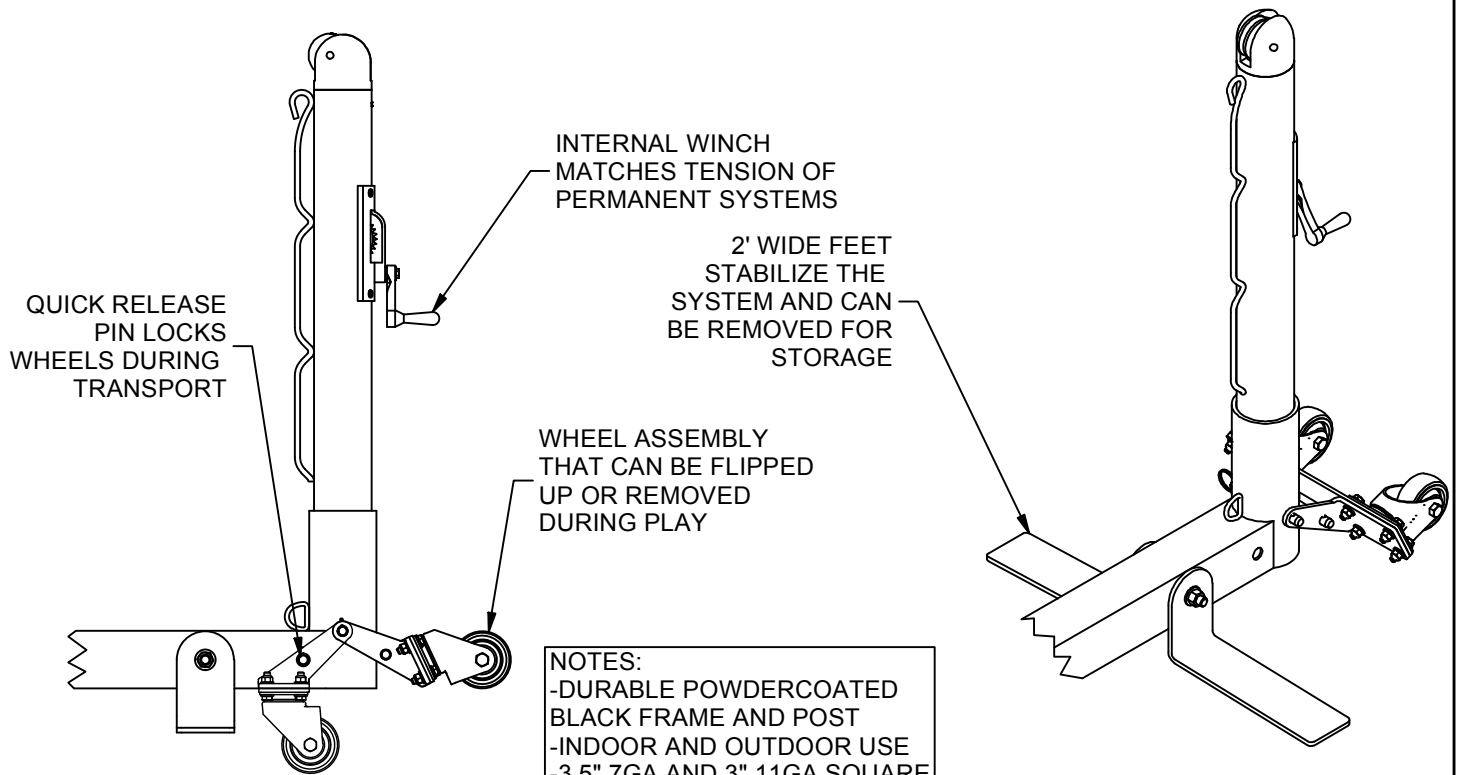
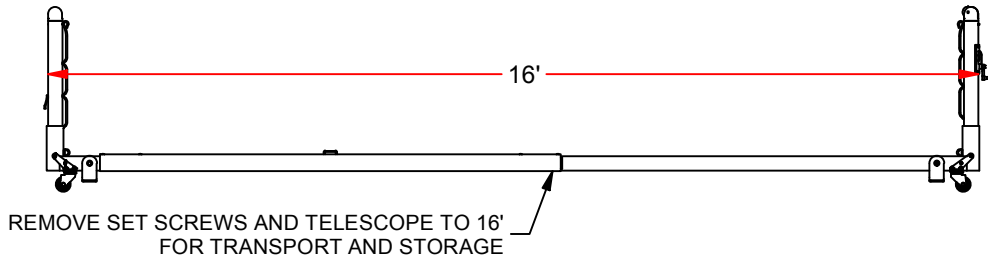
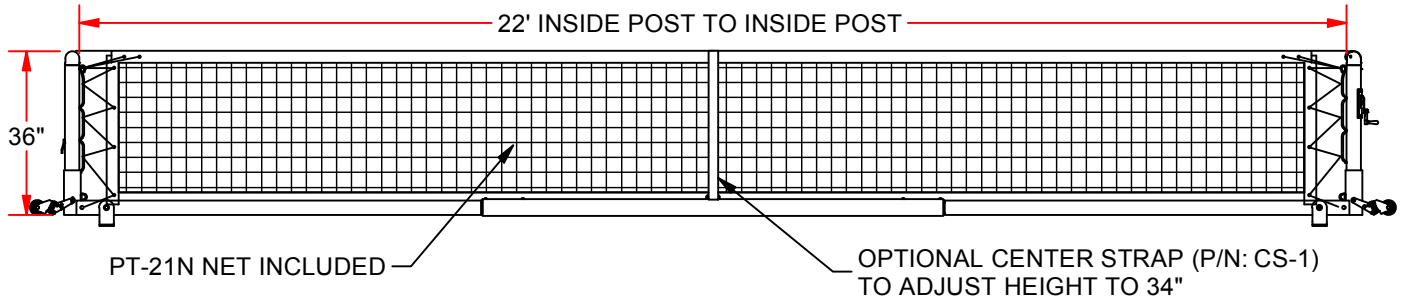


RPP-3PORT



NOTES:
 -DURABLE POWDERCOATED BLACK FRAME AND POST
 -INDOOR AND OUTDOOR USE
 -3.5" 7GA AND 3" 11GA SQUARE STEEL FRAME
 -REMOVABLE 3" ROUND STEEL POSTS
 -DO NOT REFERENCE FOR ASSEMBLY OR USE INSTRUCTIONS. SEE INSTALLATION PACKET.



RPP-3PORT

USAP COMPLIANT PORTABLE PICKLEBALL SYSTEM

© COPYRIGHT 2022 JAYPRO SPORTS, LLC. ALL RIGHTS RESERVED THIS PRINT IS THE PROPERTY OF JAYPRO SPORTS, LLC. AND MAY NOT BE REPRODUCED WITHOUT WRITTEN PERMISSION

www.jayprosports.com
 (800) 243-0533
 976 Hartford Turnpike
 Waterford, CT 06385 USA

Rev:

SHEET 1 OF 1