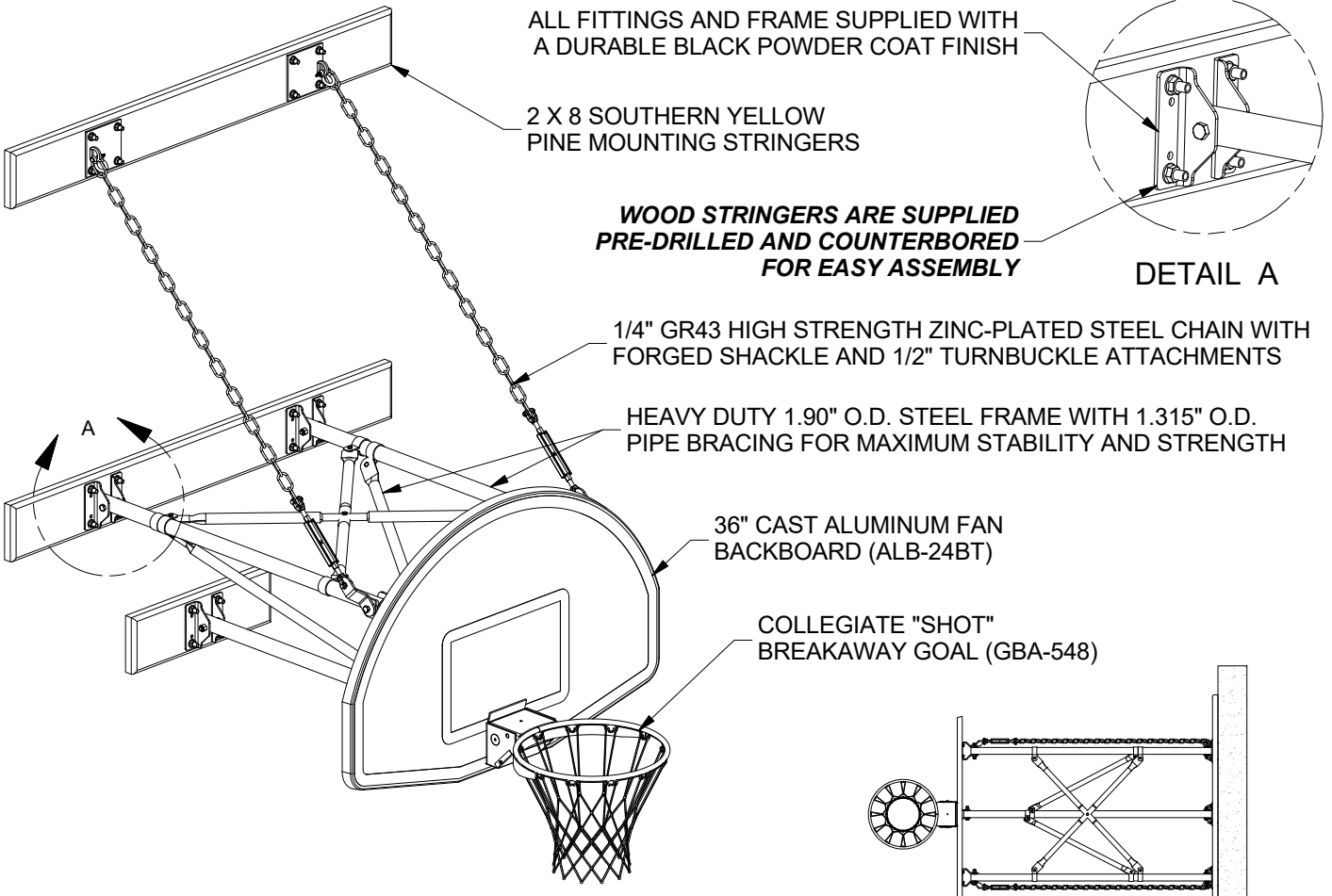
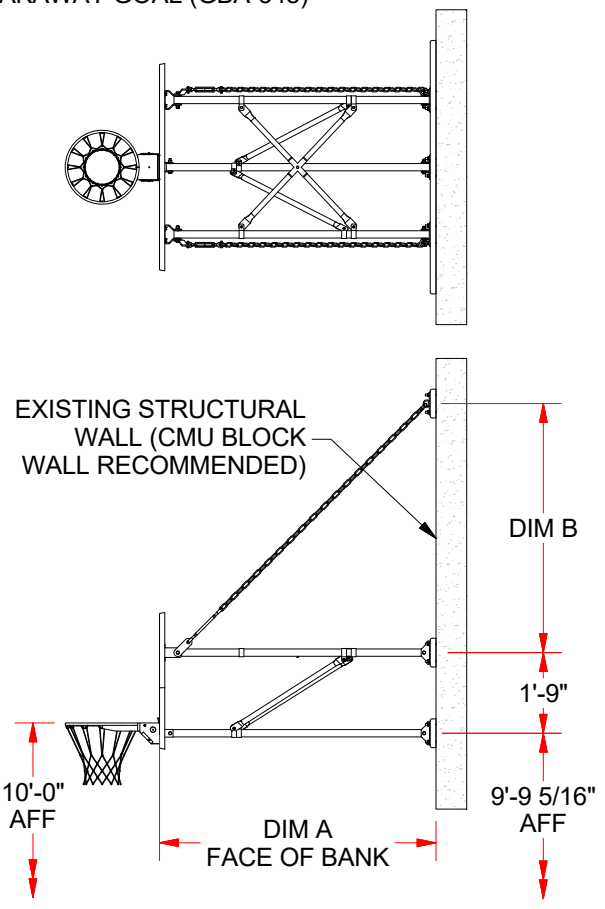
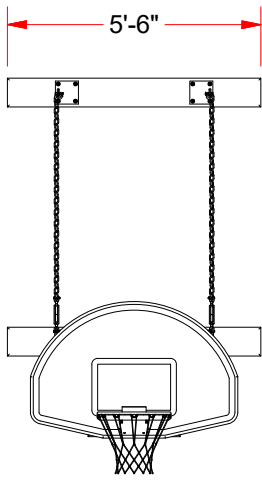




3-POINT STATIONARY FAN BOARD SHOOTING STATION



DIM A FACE OF BANK	DIM B CHAIN LOCATION
3' - 6"	2' - 11"
4' - 0"	3' - 5"
4' - 6"	3' - 11"
5' - 0"	4' - 5"
5' - 6"	4' - 11"
6' - 0"	5' - 5"



PROJECT NAME _____

PROJECT NUMBER _____

ARCHITECT _____

CONTRACTOR _____

NOTES _____



N366FB
 3-POINT FAN BOARD WALL MOUNTED SHOOTING STATION, 3'-6" TO 6'-0" FOB
 © COPYRIGHT 2017 JAYPRO SPORTS, LLC. ALL RIGHTS RESERVED
 THIS PRINT IS THE PROPERTY OF JAYPRO SPORTS, LLC. AND MAY NOT BE REPRODUCED WITHOUT WRITTEN PERMISSION

www.jaypro.com
 (800) 243-0533
 976 Hartford Turnpike
 Waterford, CT 06385 USA
 Sheet 1 of 2



3-POINT STATIONARY FAN BOARD SHOOTING STATION

SPECIFICATION SHEET

Jaypro Model N366FB, 3-point stationary fan board shooting station shall be a wall mounted and wall braced unit extended 3'-6" to 6'-0" from the supporting wall. System is designed to consist of three (3) pipe extension frames, internal bracing, and upper chain supports. System comes complete with 36" aluminum fan board (ALB-24BT), collegiate "shot" breakaway goal (GBA-548), frame, fittings, hardware, and wood stringers.

Pipe extensions frames shall consist of 1.90" O.D. high strength galvanized pipe. Frame shall attach to both the wall and board with heavy duty fabricated steel brackets. Frame pipes are to be cut in the field to achieve the desired extension off the wall between 3'-6" to 6'-0". Internal vertical and lateral bracing shall be 1.315" O.D. pipe for maximum stability and rigidity easily clamped to the frame structure.

System shall have dual 1/4" GR43 high test safety chains for support. Chains shall be terminated using a forged shackle and 1/2" turnbuckle for easy adjustment. Chains shall be attached to the wall using a wood stringer independent of the frame structure. **Systems that utilize a shared wood stinger for the frame and chain attachment shall not be approved as equals.**

Frame structure and chain attachments shall attach to the wall using 2" x 8" southern yellow pine wood stringers. Stringers shall be supplied with routed edges and finished with two (2) coats of clear lacquer. Wood stringers are supplied pre-drilled and counterbored holes to assemble the brackets for quick and easy assembly. **Systems that are not supplied with holes pre-drilled and counterbored shall not be approved as equals.**

Goal shall be mounted directly through the backboard into heavy-duty structural steel fittings to eliminate any strain on the bank should a player hang on the front of the mounted shooting station.

Refer to the table on page 1 for wall height requirements for the desired extension of the wall. Due to close proximity to the wall, it is highly recommended to pad the wall behind the unit for player safety.

All structure and fittings shall be supplied with a durable black powder coat finish. All components are packaged for protection during shipment. All wall mounted anchors shall be specified and supplied by others.

System shall weigh 359 pounds.

WARRANTY

Jaypro N366FB shooting station structure comes with a 25 Year Limited Warranty. Limited Lifetime Warranty on all Jaypro backboards when used in conjunction with the N366FB shooting station. Other components may be covered under their own extended warranty.



N366FB

www.jaypro.com / (800) 243-0533 / 976 Hartford Tpke, Waterford, CT 06385 USA

SUBJECT TO CHANGES IN DESIGN AND MANUFACTURING
© COPYRIGHT 2017 JAYPRO SPORTS, LLC. ALL RIGHTS RESERVED
Sheet 2 of 2