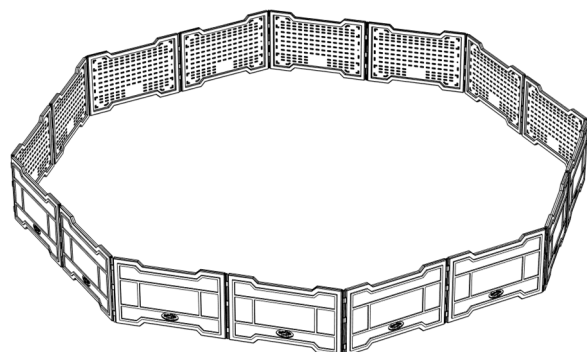
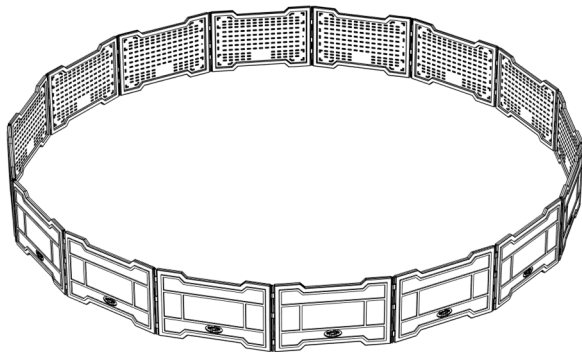
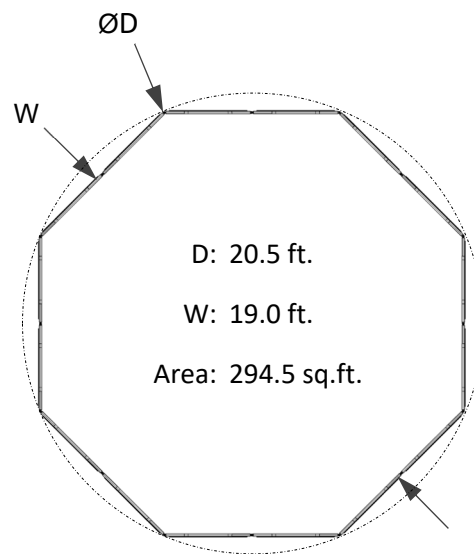
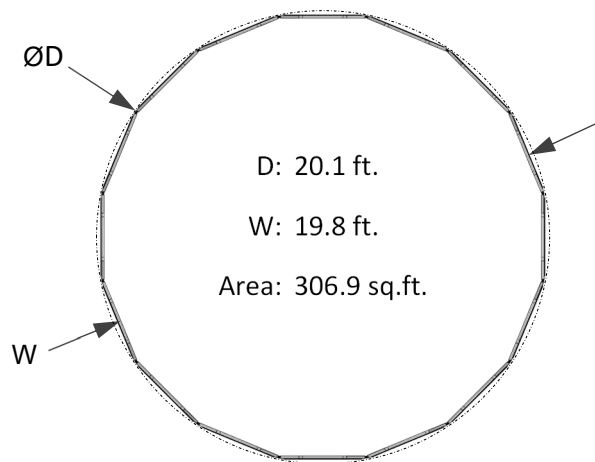


SAFETY

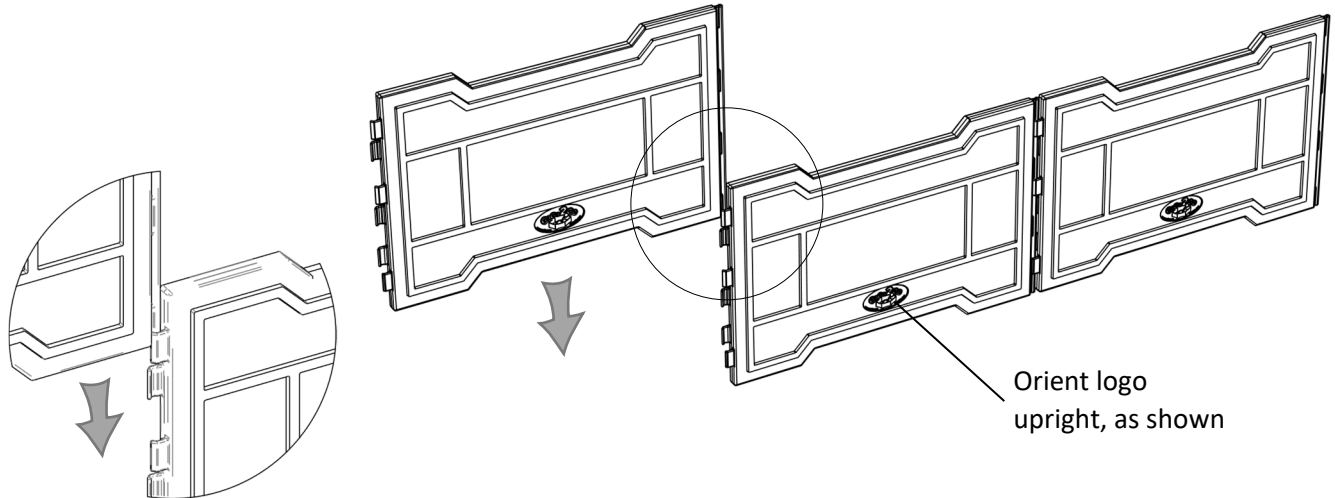
- Check to ensure that plans will meet local codes and guidelines
- Space equipment to ensure proper traffic flow and safe usage

CONFIGURATIONS

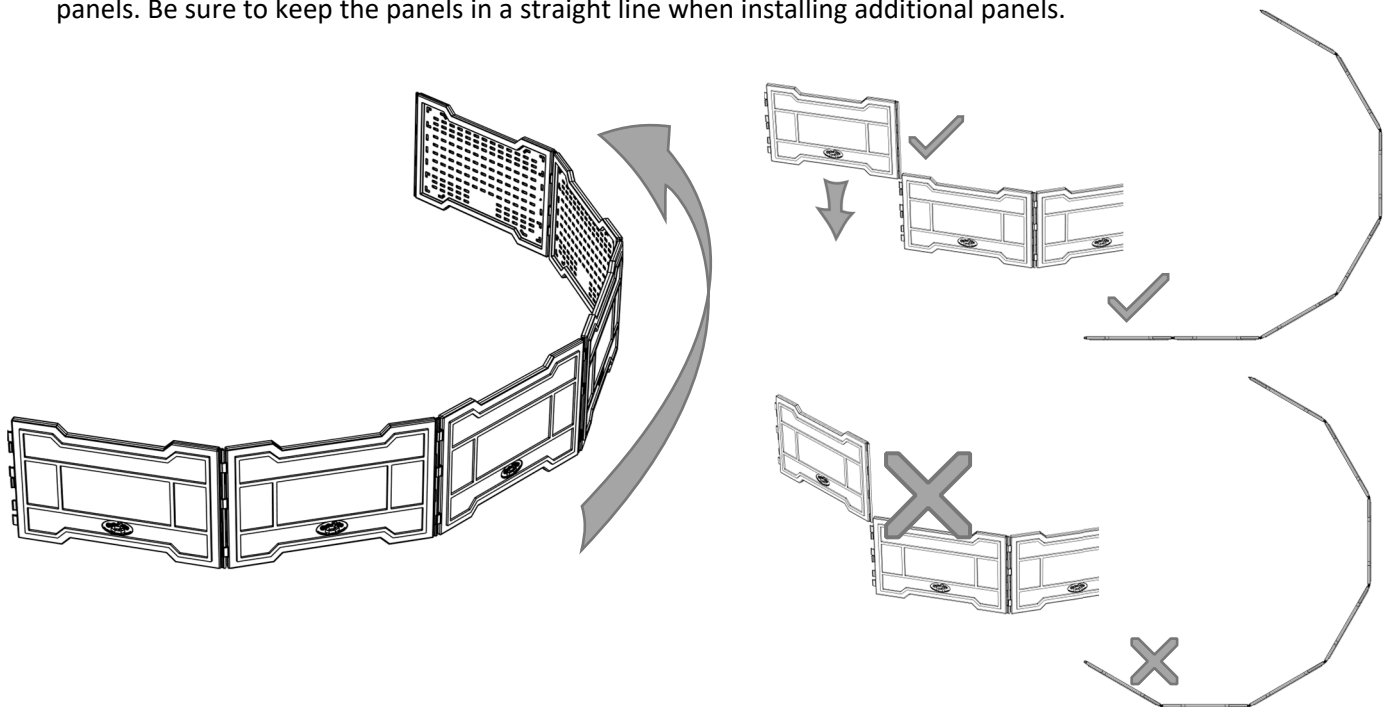


GaGa2Go PANEL ASSEMBLY

- Assemble one panel to another by sliding the channel of one panel vertically into the adjacent panel. Be sure to keep the panels in a straight line and vertical when connecting.

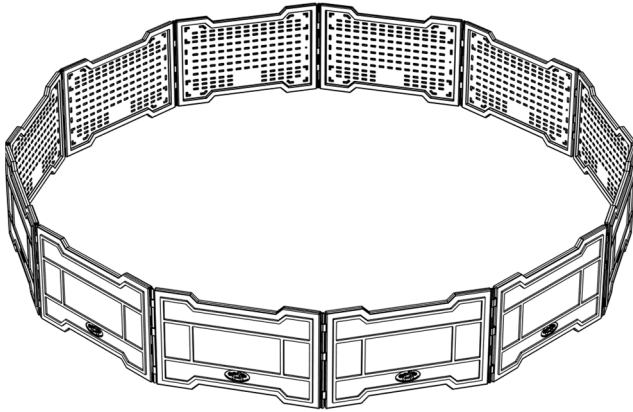


- After assembling at least half of the required panels, you can begin orienting your pit as you install additional panels. Be sure to keep the panels in a straight line when installing additional panels.



GaGa2Go PANEL ASSEMBLY, cont.

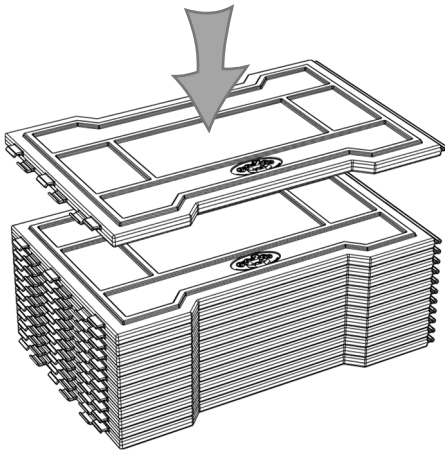
- Continue to assemble panels. After installing the final panel, you can continue moving the panels until your desired pit shape is formed.



To disassemble, simply reverse the process pulling straight up on one panel while securing the adjacent panel to keep it from moving.

Panel Storage

- Panels nest to stack securely.



- 16 Panel Stack

