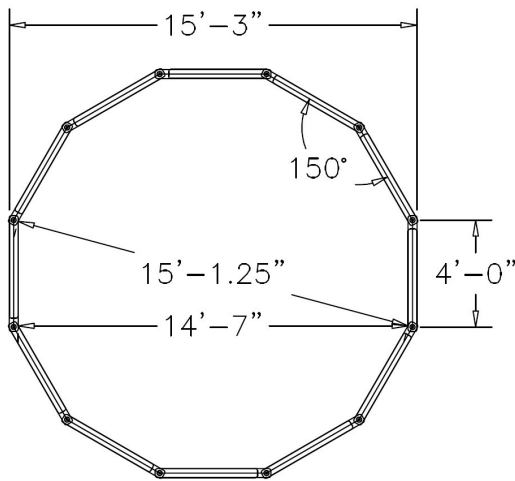


PO Box 7987  
Edmond, OK 73083  
14710-A Metro Plaza Blvd  
Edmond, OK 73013



O: 877-234-6558  
F: 405-607-0624  
info@2by2ind.com



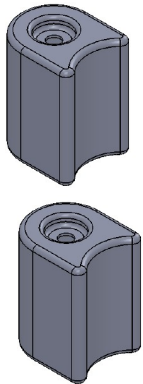
# 15' GAGA BALL PIT

INSTALLATION INSTRUCTIONS  
AND MATERIALS LIST

PO Box 7987  
Edmond, OK 73083  
14710-A Metro Plaza Blvd  
Edmond, OK 73013



O: 877-234-6558  
F: 405-607-0624  
info@2by2ind.com

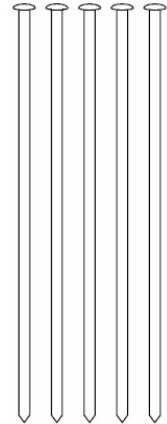


**(2) 6" FILLER  
END CAPS**

**(23) BORDER TIMBERS**



**(12) 36" SPIKES**



Here are seven easy steps to complete the installation of your new  
15' GaGa Ball Pit from 2by2 Industries:

1. In a large, flat area, locate the center point of your future GaGa Ball Pit. Partially drive one of the provided spikes in that spot (approx. 6").
2. From that spike, attach one end of a rope, string, or any easy fabric. This string needs to be approximately 7'-6" long. From there you will stretch it out and walk in a large circle. This gives you the approximate size of the GaGa Ball Pit.
3. You will start with placing the bottom row of border timbers (12 total) and create a large circle. Use the spikes to hold them in place, but **DO NOT** hammer them in. Place the **TEXTURED FINISH** facing the outside of the pit.
4. Once you have the first row in a circle, add the second row of borders on top of the first row. You will have to remove and re-insert the spike in place to allow it to go through the ends of four borders.
5. You will notice that there are only 11 borders for the top row, this is to allow an entry/exit point. Instead of using a border timber in that gap, you will use the 6" filler end caps to fill the spaces. There is a border that includes a sign on it. This border should be the final border placed next to the opening. The sign will sit next to the entrance.
6. Once fully assembled, walk around the circle and correct any pivot points that might not look like a perfect circle. Hammer the spikes until they rest within the countersunk area of the borders.
7. Enjoy your new GaGa Ball Pit!