

Installer's Reference

UC-12-394-R0-012621



Six Foot Bench

Know What's Below

As with all projects involving digging, start by knowing what is in the ground below. Underground utilities may include cable, electric, sprinklers, sewer, water, telecommunications, drainage pipes and sprinklers. You can usually accomplish this with one phone call (Dial 811) to your state's underground utility service.

Conduct an Inventory

Begin installation with of hardware and parts, assuring everything you need is onsite when you begin.

Unit Common Description	Units Per Model
Inground Mount Bench Frame	2
5/16-18 x 1 1/2" tap bolt w/black xylan	8
5/16-18 nylock nut w/black xylan	8
5/16 uss flat washer w/black ox	16
#vc300-8 5/16" bolt size 1/2" lg vinyl cap	8
6' Rectangular Seat Expanded Metal or Punched Steel (Depending on model ordered)	2



Bolt (HW01)



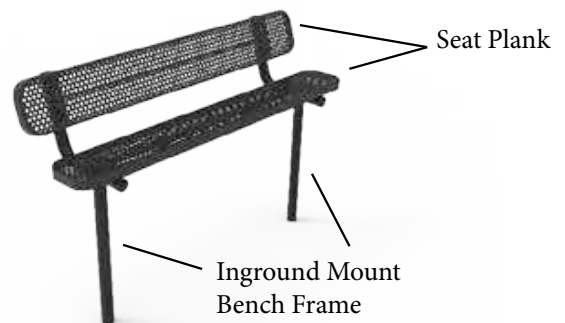
Washer (HW03)



Nut (HW02)



Bolt Cap (HW04)



Suggested Tools



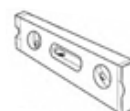
Open Face Wrench



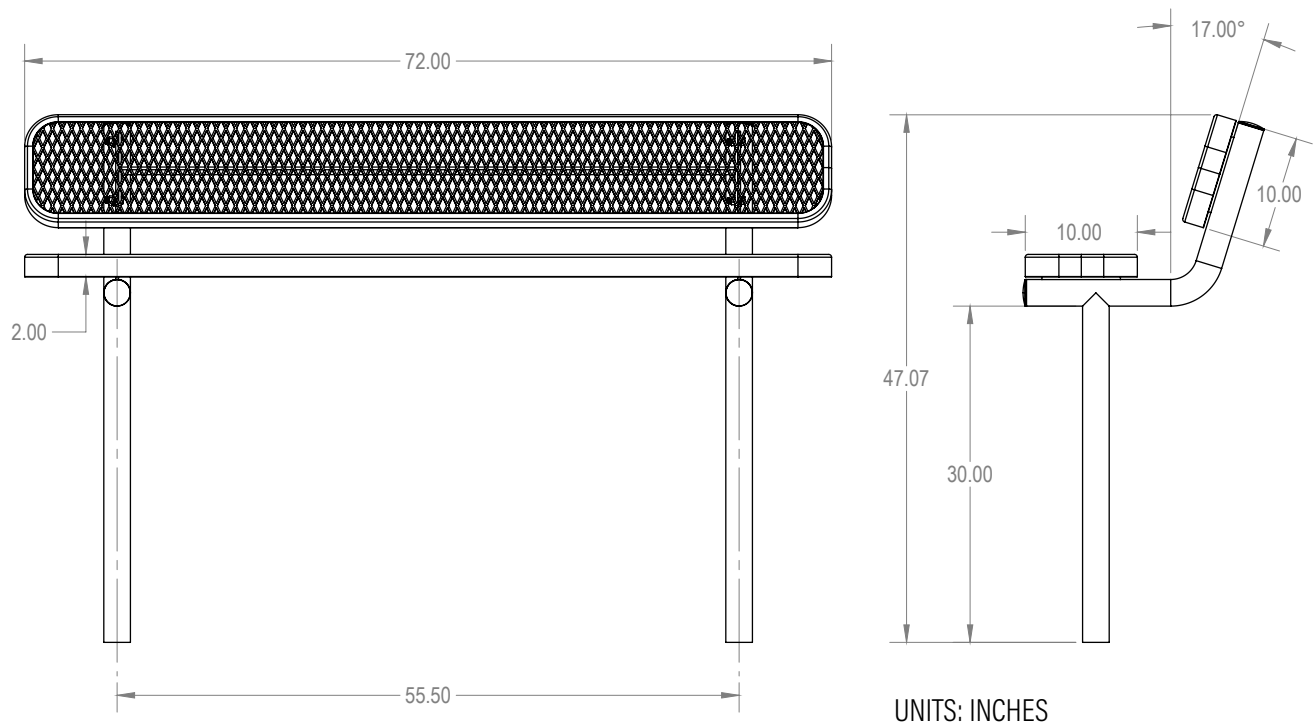
Tape Measure



Socket Wrench



Level



1. Attach Seat Plank for bottom seat to Surface Mount Bench Frame using Hardware Provided. (Hand tighten at this time)

2. Attach Seat Plank for Back seat to Surface Mount Bench Frame using Hardware Provided. (Hand tighten at this time)

3. Level seat and back and tighten bolts

4. Mount Bench into ground approx. 18" leaving the top of the seat to be 18" from the ground.

