

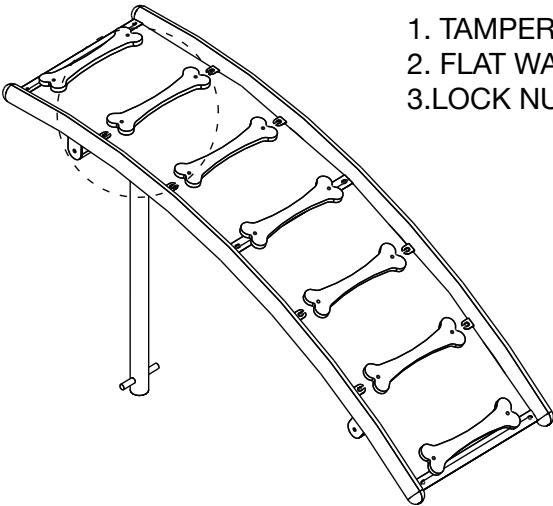
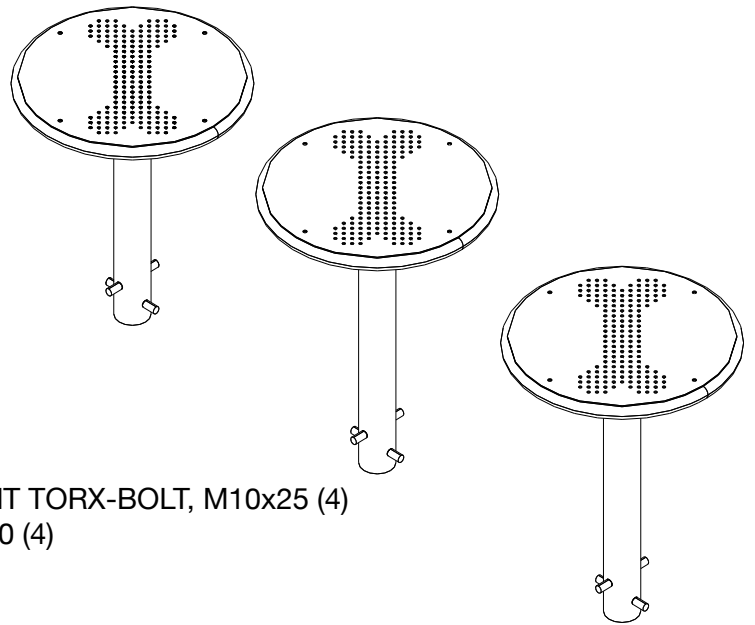
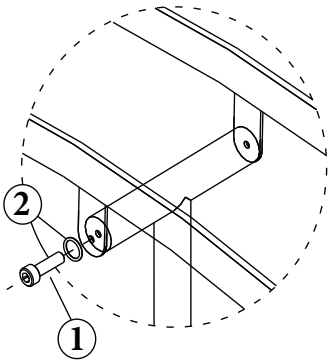
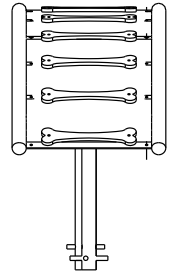
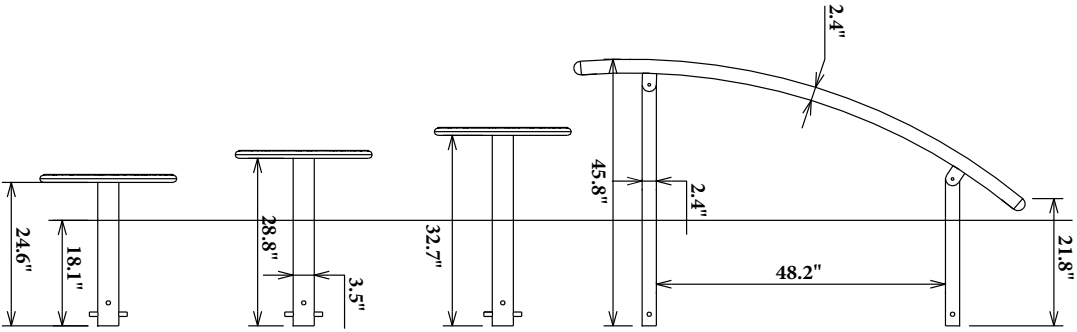
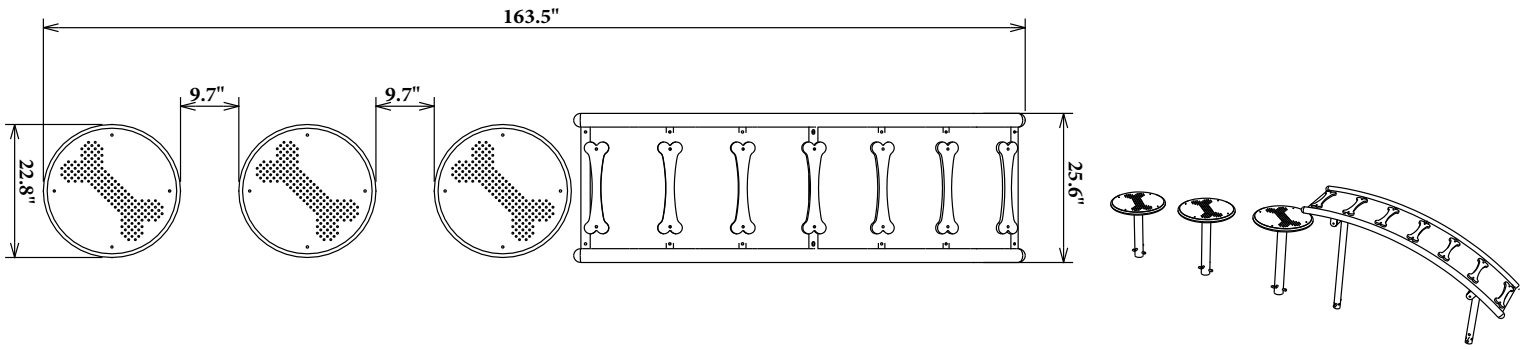
Ramp and Steps

Know What's Below

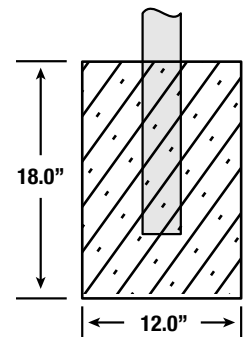
As with all projects involving digging, start by knowing what is in the ground below. Underground utilities may include cable, electric, sprinklers, sewer, water, telecommunications, drainage pipes and sprinklers. You can usually accomplish this with one phone call (Dial 811) to your state's under-ground utility service.

Conduct an Inventory

Begin installation with of hardware and parts, assuring everything you need is on-site when you begin.



1. TAMPER RESISTANT TORX-BOLT, M10x25 (4)
2. FLAT WASHER, M10 (4)
3. LOCK NUT, M10 (4)



CONCRETE FOOTING