

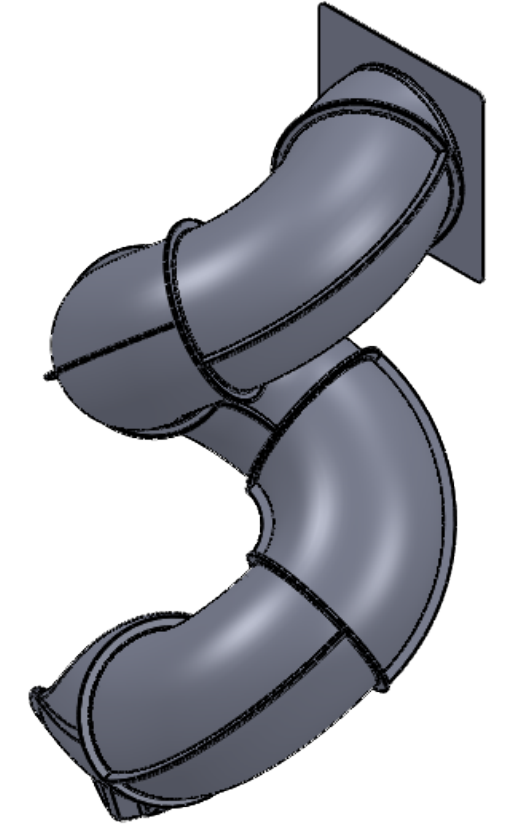
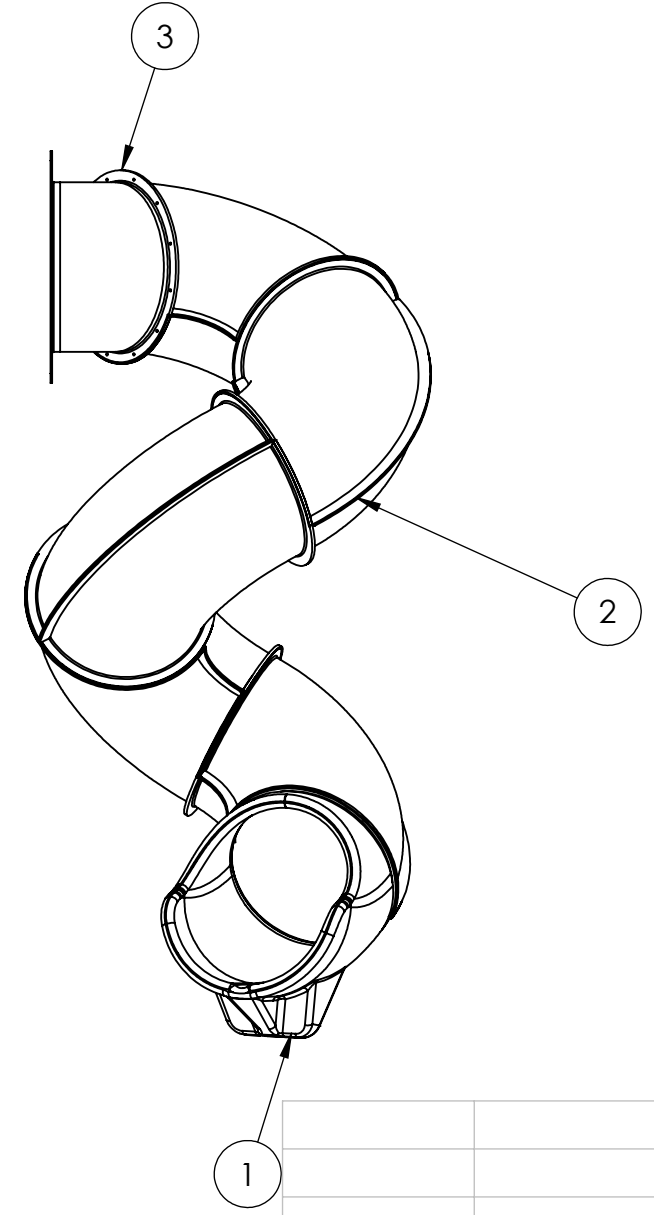
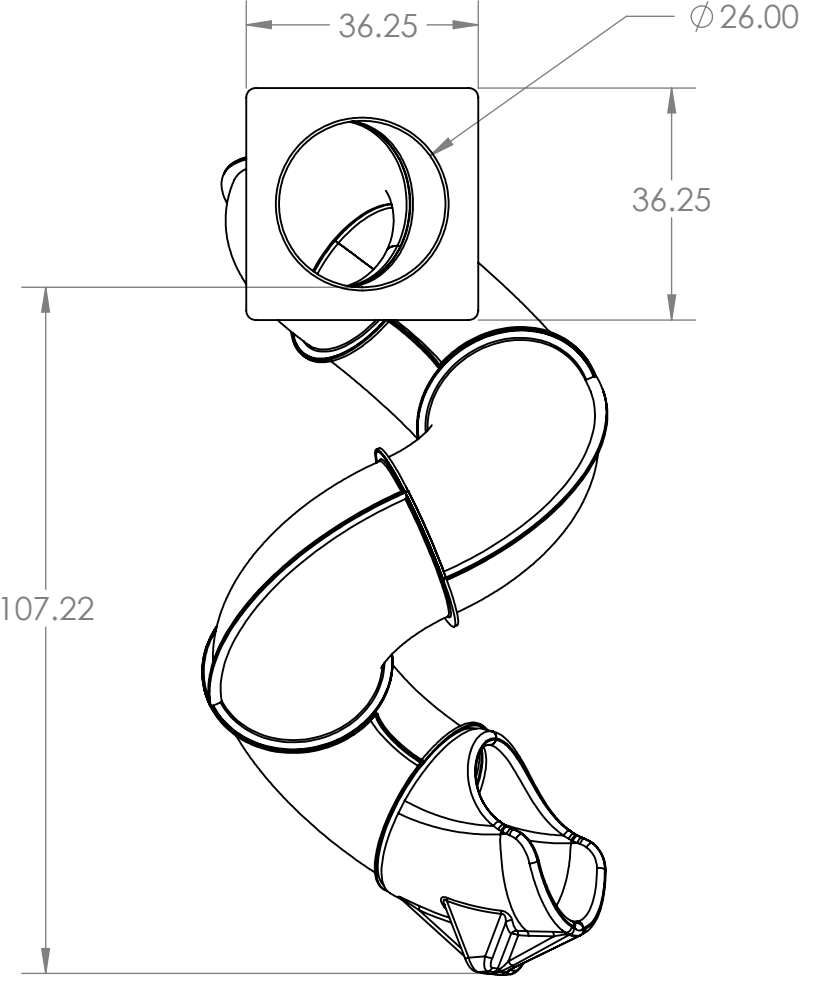
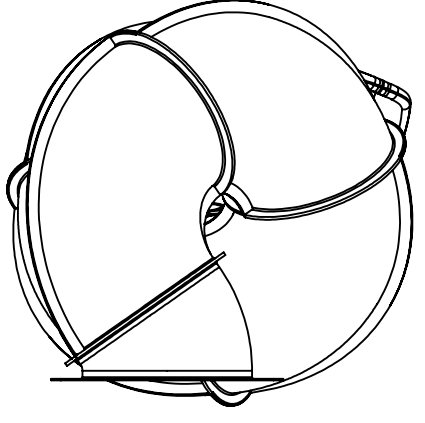
4

3

2

1

ITEM NO.	PART NUMBER	DESCRIPTION	QTY.
1	Default		1
2	90' Elbow Rt1		10
3	Entry Hood Rev 6	Entry Hood	1



B

B

A

A

4

3

2

1

		UNLESS OTHERWISE SPECIFIED:		NAME	DATE	ATLAS MOLDING - Leola ,PA	
		DIMENSIONS ARE IN INCHES		DRAWN		TITLE:	
		TOLERANCES:		CHECKED		TURBO TWISTER - 9FT	
		FRACTIONAL ±		ENG APPR.		SIZE	DWG. NO.
		ANGULAR: MACH ± BEND ±		MFG APPR.		B	REV
		TWO PLACE DECIMAL ±		Q.A.		SCALE: 1:30 WEIGHT:	
		THREE PLACE DECIMAL ±		COMMENTS:		SHEET 1 OF 1	
		INTERPRET GEOMETRIC TOLERANCING PER:					
		MATERIAL					
		SEE BOM					
NEXT ASSY	USED ON	FINISH					
APPLICATION		DO NOT SCALE DRAWING					

1

3

2