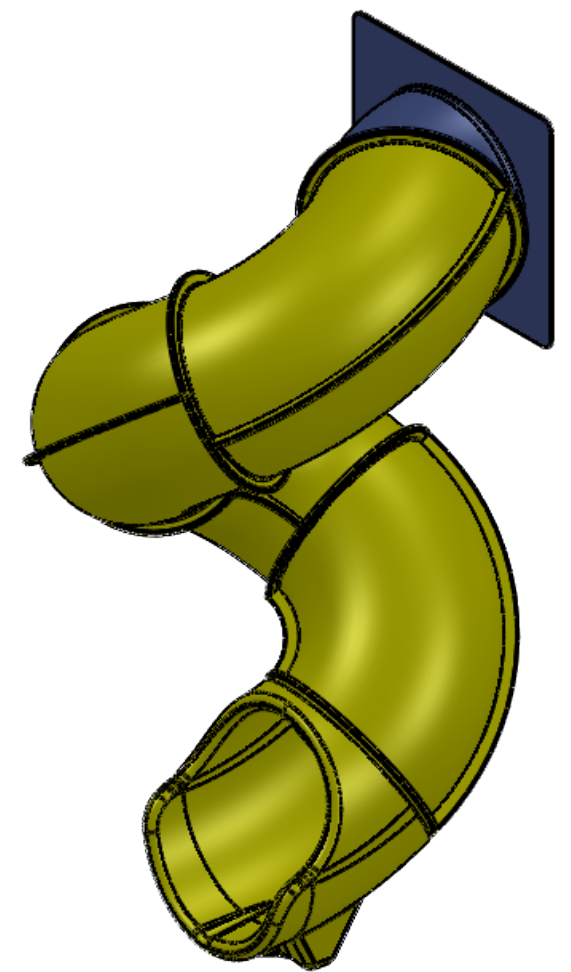
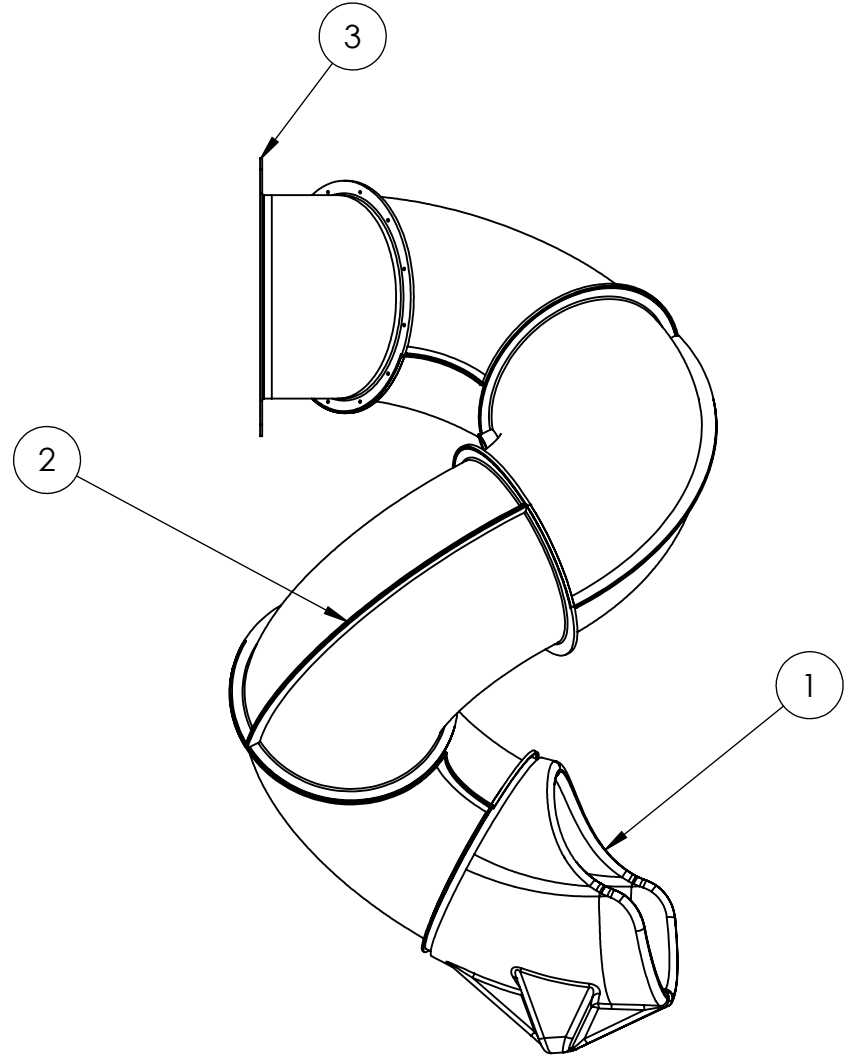
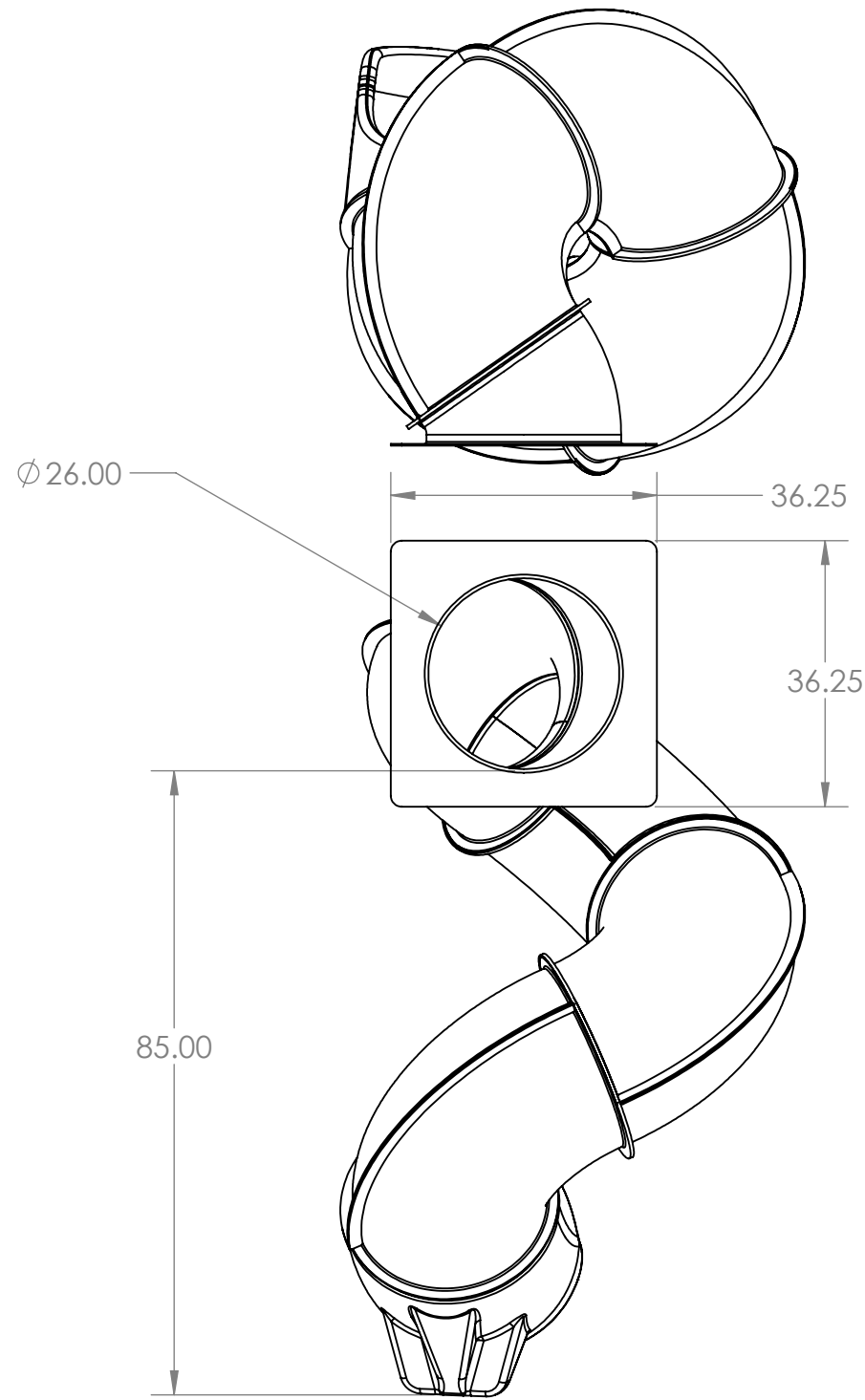


ITEM NO.	PART NUMBER	DESCRIPTION	QTY.
1	Default		1
2	90° Elbow Rt1		8
3	Entry Hood Rev 6	Entry Hood	1



		UNLESS OTHERWISE SPECIFIED:	NAME	DATE	ATLAS MOLDING - Leola ,PA	
		DIMENSIONS ARE IN INCHES	DRAWN		TITLE:	
		TOLERANCES:	CHECKED		TURBO TWISTER - 7FT	
		FRACTIONAL: ±	ENG APPR.		SIZE DWG. NO. REV	
		ANGULAR: MACH ± BEND ±	MFG APPR.		B	
		TWO PLACE DECIMAL ±	Q.A.		SCALE: 1:25 WEIGHT: SHEET 1 OF 1	
		THREE PLACE DECIMAL ±	COMMENTS:			
		INTERPRET GEOMETRIC TOLERANCING PER:				
		MATERIAL				
		SEE BOM				
NEXT ASSY	USED ON	FINISH				
APPLICATION		DO NOT SCALE DRAWING				