

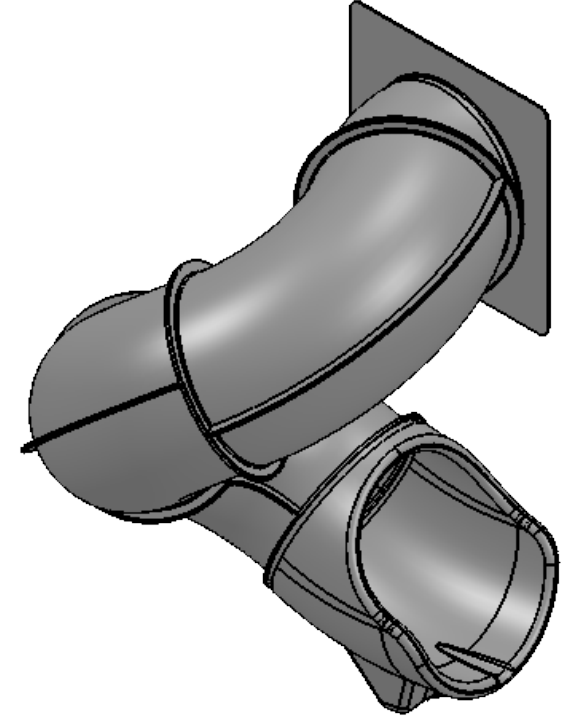
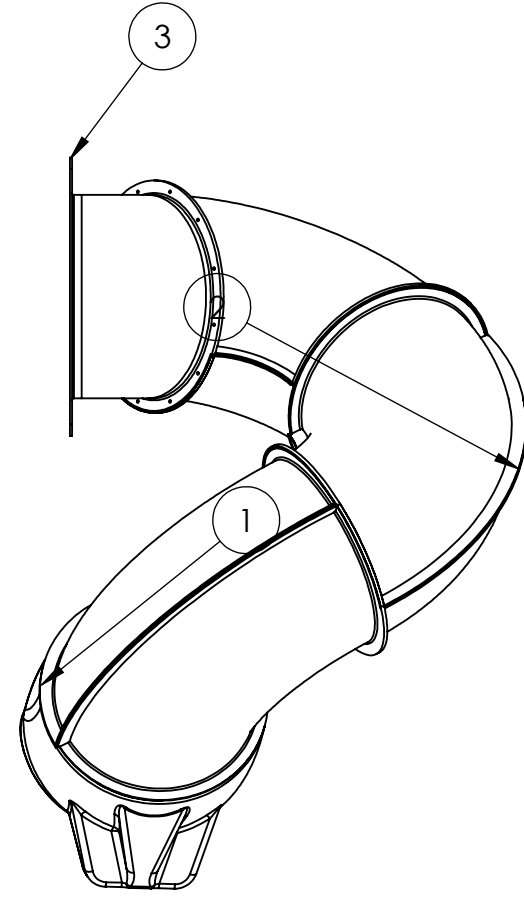
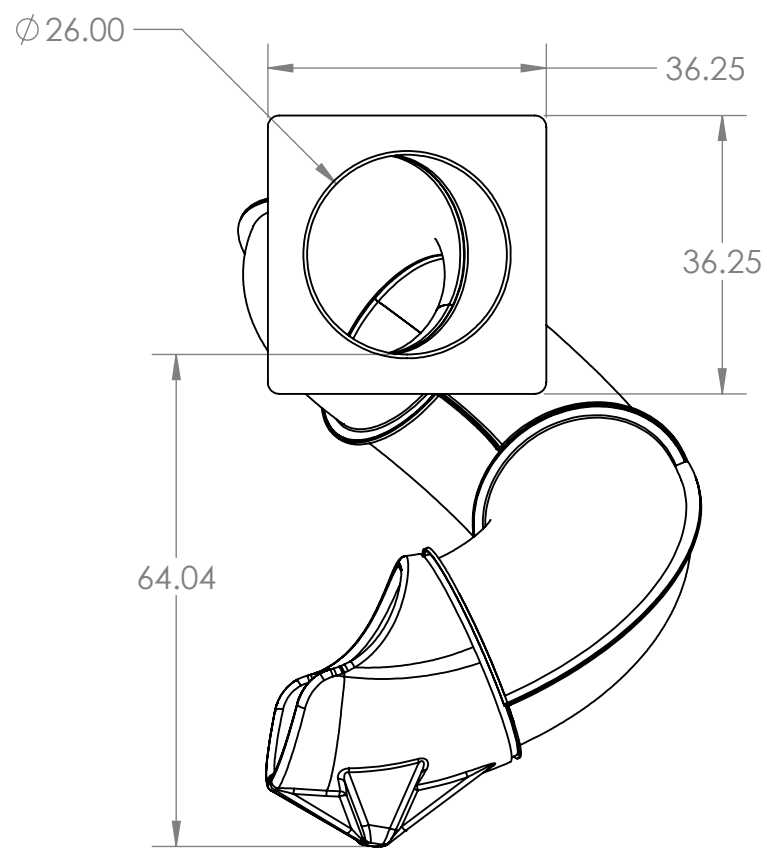
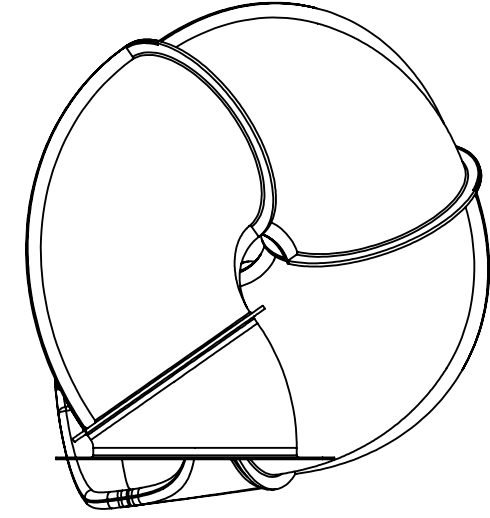
4

3

2

1

ITEM NO.	PART NUMBER	DESCRIPTION	QTY.
1	Default		1
2	90' Elbow Rt1		6
3	Entry Hood Rev 6	Entry Hood	1



B

B

A

A

		UNLESS OTHERWISE SPECIFIED:	NAME	DATE	ATLAS MOLDING - Leola ,PA	
		DIMENSIONS ARE IN INCHES	DRAWN		TITLE:	
		TOLERANCES:	CHECKED		TURBO TWISTER - 5FT	
		FRACTIONAL ±	ENG APPR.		SIZE	DWG. NO.
		ANGULAR: MACH ± BEND ±	MFG APPR.		<b>B</b>	REV
		TWO PLACE DECIMAL ±	Q.A.		SCALE: 1:25 WEIGHT:	
		THREE PLACE DECIMAL ±	COMMENTS:		SHEET 1 OF 1	
		INTERPRET GEOMETRIC TOLERANCING PER:				
		MATERIAL				
		SEE BOM				
NEXT ASSY	USED ON	FINISH				
APPLICATION		DO NOT SCALE DRAWING				

4

3

2

1