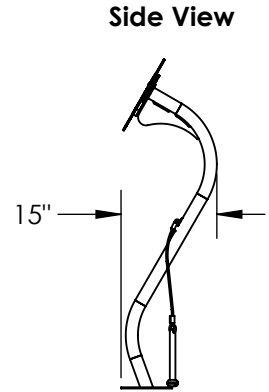
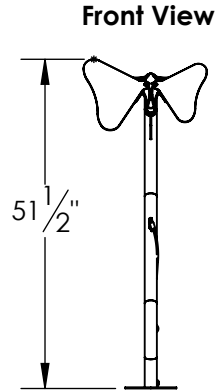
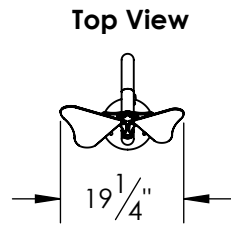


- Powder Coated Steel Frame
- Anodized Aluminum Wings
- Stainless Steel Hardware
- Patent Pending



BFLY-O-IG

Inground, Sheet 2 and 3
 Assembled Weight: 28 lbs.
 Combined Packaged Weight: 37 lbs.



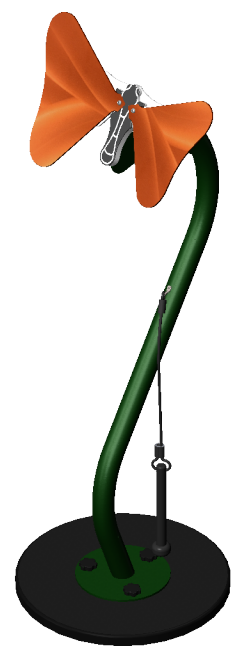
BFLY-O-SM

Surface Mount, Sheet 2 and 4
 Assembled Weight: 17 lbs.
 Combined Packaged Weight: 26 lbs.



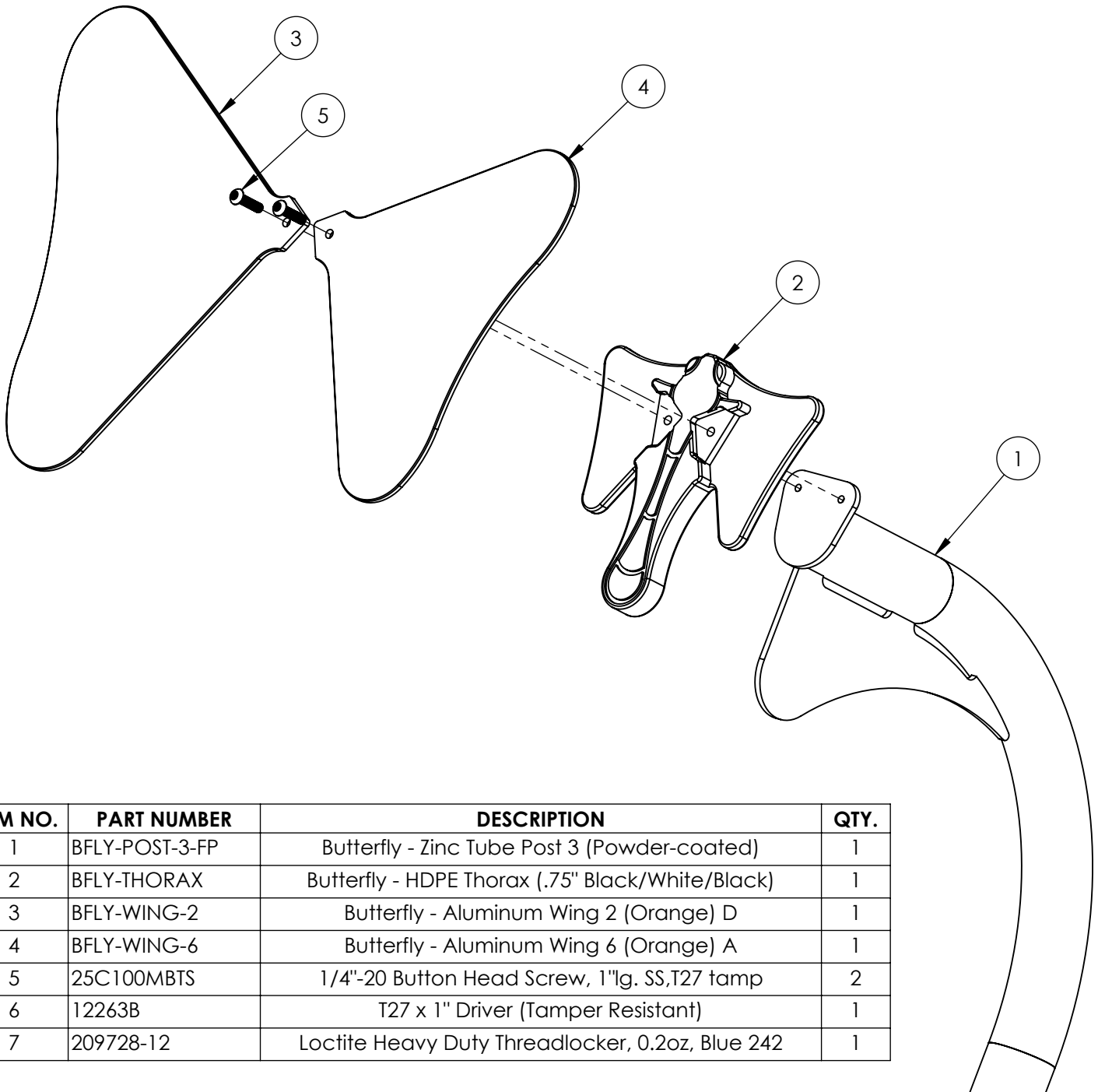
BFLY-O-PM

Portable Mount, Sheet 2 and 5
 Assembled Weight: 26 lbs.
 Combined Packaged Weight: 35 lbs.



Assembly Instructions

1. Apply two drops of Loctite to the ends of the threads on each 1/4"-20 Button Head Screw.
2. With the T27 Driver fasten the largest Aluminum Wing to the Post by driving one of the 1/4"-20 Button Head Screws through the hole on the Wing, through the left hole on the HDPE Thorax, and into the left threaded hole on the Post. Drive slowly to prevent stripping the screw or threaded holes.
3. Repeat with the smaller Aluminum Wing on the right hands side. The wings should be completely nested into the small pockets on the Thorax and unable to be rotated.



ITEM NO.	PART NUMBER	DESCRIPTION	QTY.
1	BFLY-POST-3-FP	Butterfly - Zinc Tube Post 3 (Powder-coated)	1
2	BFLY-THORAX	Butterfly - HDPE Thorax (.75" Black/White/Black)	1
3	BFLY-WING-2	Butterfly - Aluminum Wing 2 (Orange) D	1
4	BFLY-WING-6	Butterfly - Aluminum Wing 6 (Orange) A	1
5	25C100MBTS	1/4"-20 Button Head Screw, 1"lg. SS,T27 tamp	2
6	12263B	T27 x 1" Driver (Tamper Resistant)	1
7	209728-12	Loctite Heavy Duty Threadlocker, 0.2oz, Blue 242	1

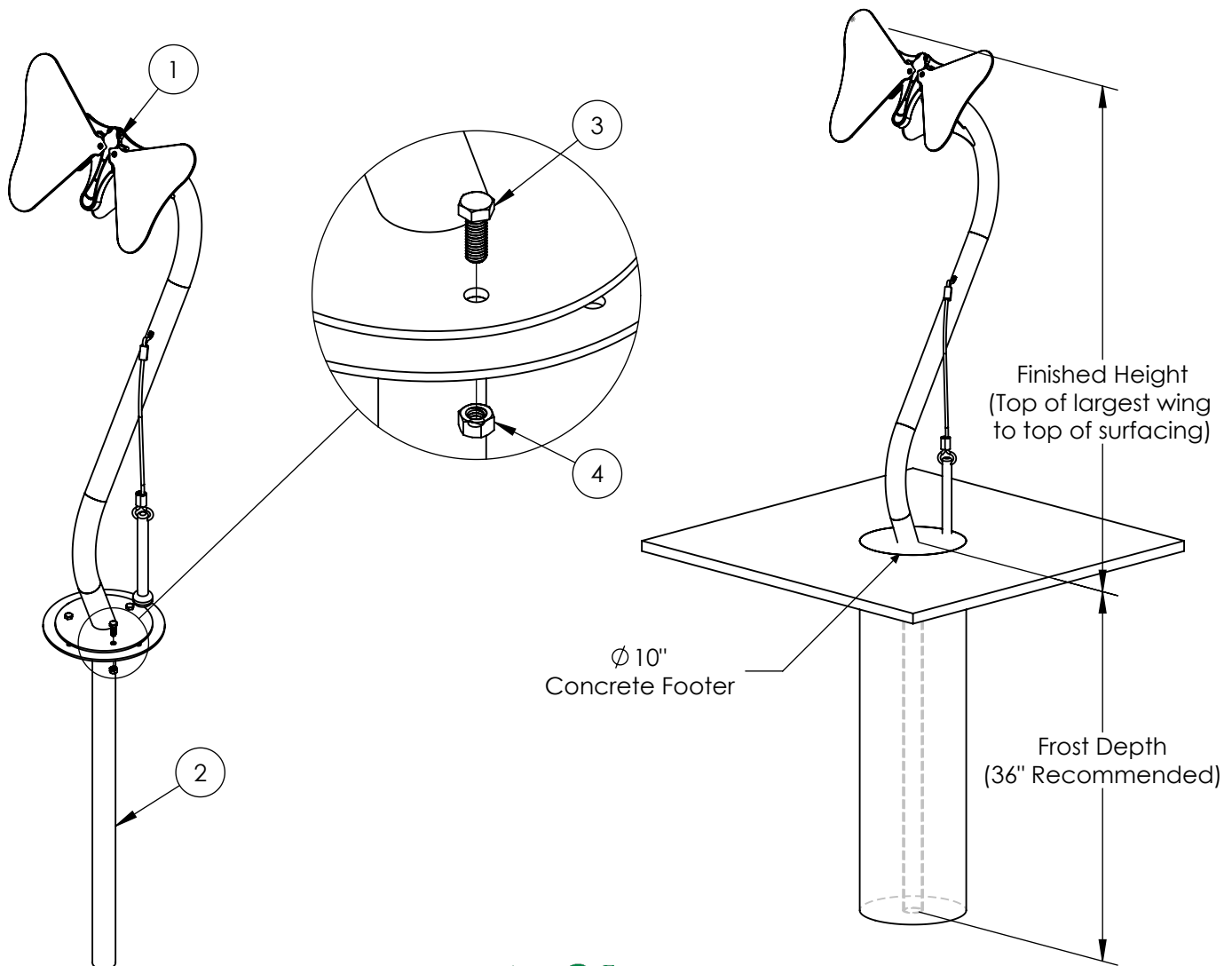
Inground Installation Instructions

1. With the remaining Loctite, apply a couple drops to the end of the threads on the 3/8"-16 Hex Head Screws.
2. Attach the Instrument Pre-Assembly to the In Ground Post Extension by aligning the holes on each component and fastening them together with the (3) 3/8" Hex Head Screws and the (3) 3/8"-16 Hex Nuts.
3. Excavate one 10" diameter hole, 36" deep, at the installation location. **(A deeper excavated hole or shortening the In Ground Post Extension will be required if desired age groups are between 2-12)** Be sure to account for surfacing thickness if it is to be used.

Finished Height Guideline: (Ages 2-5, 41.5") (Ages 5-12, 45.5") (Ages 13+, 49.5")

4. With two people, lower Instrument with Post Extension attached into the excavated hole. Verify correct placement and levelness of the Instrument. Check for sufficient clearance around the Instrument, a 36" perimeter around the Instrument is recommended for wheelchair accessibility.
5. Last pour concrete around the In Ground Extension. If necessary, brace the Instrument to hold it rigid while the concrete cures. Leave to set according to the concrete manufacturers guidelines. Approximately (3) 80lb. bags will be needed.

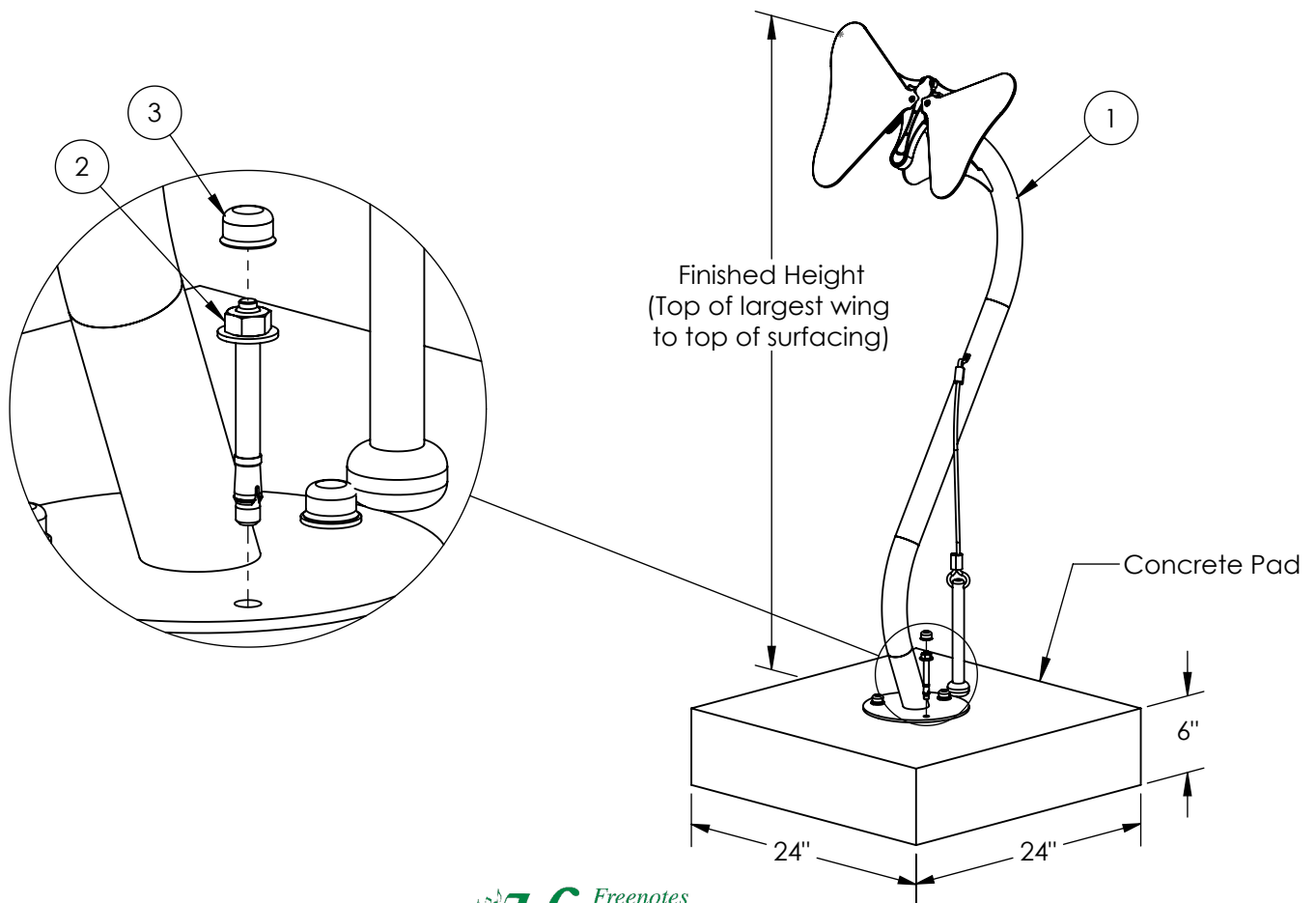
ITEM NO.	PART NUMBER	DESCRIPTION	QTY.
1	BFLY-O-BOM	Pre-Assembly - Orange Butterfly Instrument	1
2	POST-STL-IG-EXT-FP	In Ground Steel Post Extension (Powder-coated)	1
3	92240A624	3/8"-16 Hex Head Screw, 1"lg. SS	3
4	91845A031	3/8"-16 Hex Nut, SS	3



Surface Mount Installation Instructions

1. Standard finished height for the Surface Mounted Orange Butterfly is 51.5". (Recessing the concrete pad below the finished surfacing will be required if desired age groups are between 2-12) Be sure to account for surfacing thickness if it is to be used.
Finished Height Guideline: (Ages 2-5, 43.5") (Ages 5-12, 47.5") (Ages 13+, 51.5")
2. Determine installation location. Verify concrete pad is a minimum of 24" long x 24" wide x 6" thick. If the concrete pad is at an angle, steel washers are required to act as shims (Shims not provided). If there is not already an existing pad, approximately (4) 80lb. bags will be needed. Allow concrete to cure per concrete manufacturers guidelines.
3. With two people place the Instrument Assembly onto the concrete pad and mark the center of the holes on the surface mount base. After you have made your marks, set aside the Instrument in order to drill for anchor holes. With a hammer or rotary drill, drill through concrete at marked locations. Drill to a minimum depth of 4". A 3/8" masonry drill bit will be needed.
4. Place the Instrument back over the drilled out holes. Insert provided anchor bolts into aligned holes. Position anchor nut so that it is flush with the top of the bolt. Pound anchor bolts into the hole until the anchor washer is flush with the surface mount base. Tighten anchor bolts until they are snug. Cover remaining bolt sections with provided nut caps.
5. Verify the correct placement, levelness, and finished height of the Instrument. Check for sufficient clearance around the Instrument, a 36" perimeter around the Instrument is recommended for wheelchair accessibility.
6. If installing onto wet concrete, us the wet set anchor manufacturers guidelines for installation procedures.

ITEM NO.	PART NUMBER	DESCRIPTION	QTY.
1	BFLY-O-BOM	Pre-Assembly - Orange Butterfly Instrument	1
2	POW 07315	3/8"-16 Wedge Expansion Anchor, 3.75"lg. SS	3
3	9267K43	35/64" Hex Nut Cap	3



Portable Mount Installation Instructions

1. With two people have one situate the Instrument Assembly onto the Portable Stand and align the holes.
2. Have the second person secure the Instrument to the Portable Stand with the provided 3/8"-16 Thumb Screws. Thumb Screws should be tightened snugly to prevent any raddling during play. The 3/8"-16 Hex Nuts are pre-pressed into the Portable Stand from the Factory.

ITEM NO.	PART NUMBER	DESCRIPTION	QTY.
1	BFLY-O-BOM	Pre-Assembly - Orange Butterfly Instrument	1
2	FWR_BFLY-PM-PS	Flower and Butterfly - HDPE Portable Stand (1" Black)	1
3	91185A867	3/8"-16 Thumb Screw, 1"lg. SS	3
4	91845A031	3/8"-16 Hex Nut, SS	3

